

**SEIZMIK BED RACK
POLARIS RANGER / CAN-AM DEFENDER**

SEIZMIK

HIGHLIFTER

SEIZMIK

FALCON RIDGE

**SNORKEL
YOUR ATV**

SYSTEM 3
OFF-ROAD
Traction. Strength. Style.

EPI
PERFORMANCE

 service@seizmik.com

 1-866-838-3366
between 9:00 AM and 5:00 PM EST.



www.seizmik.com/customer-support

Parts Available For These Popular Brands and Others

POLARIS

can-am



HONDA

Kawasaki

YAMAHA

PRODUCT INFORMATION

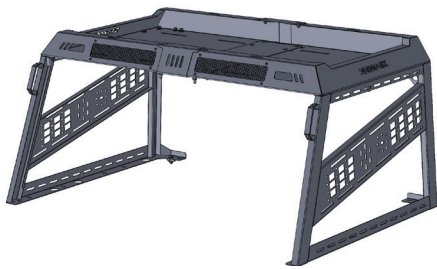
Seizmik®, the leader in manufacturing Windshields, Mirrors, Door Kits, Racks, and other great accessories for UTVs brings you the innovative, new Seizmik® Bed Rack Kit. A practical and stylish way to maximize storage and organization, the Seizmik® Bed Rack Kit helps you do what you do better. This product does not require any modifications to your vehicle and fits the POLARIS RANGER & CAN-AM DEFENDER.

Familiarize yourself with all the steps before beginning assembly of the products below.

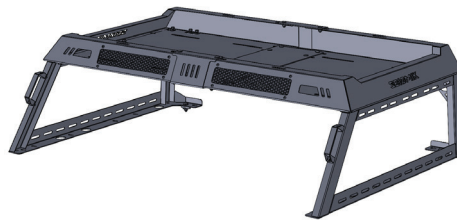
58-08075 - FULL HEIGHT BED RACK KIT, POLARIS RANGER & CAN-AM DEFENDER

58-08076 - HALF HEIGHT BED RACK KIT, POLARIS RANGER & CAN-AM DEFENDER

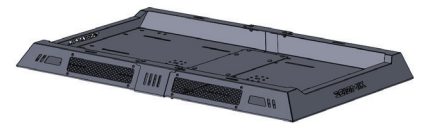
58-08077 - UNIVERSAL BASKET, POLARIS RANGER & CAN-AM DEFENDER



58-08075



58-08076



58-08077

Purchasers should be aware that use of this product will raise the center of gravity when loaded with additional weight on your UTV and/or increasing risk of roll-over, injury and death on all types of terrain. It is your responsibility to always inform other operators and passengers of this vehicle about the added risks with this product.

If you further raise the center of gravity by adding taller tires, heavy loads to racks or seats, or by any other means, the UTV must be operated with even more care, at slower speeds and on relatively flat ground. All turns should be done at a slow speed, even on level ground.

Operation of an UTV with or without modified components, while or shortly after consuming alcohol or drugs, subjects the rider and passengers to the risk of serious bodily harm or possible death. This risk is compounded if the riders do not wear an approved helmet and other safety gear. Seizmik urges that all approved safety gear be worn when riding as a driver or passenger.

By purchasing and installing Seizmik Bed Rack(s), user agrees that should damages occur, Seizmik will not be held responsible for loss of time, use, labor fees, replacement parts, or freight charges. Seizmik will not be held responsible for any direct, indirect, incidental, special, or consequential damages that result from any product purchased from Seizmik. The total liability of seller to user for all damages, losses, and causes of action, shall not exceed the total purchase price paid for the product that gives rise to the claim. As discussed above, it is critically important that they be instructed in the need for slower speed operation, regardless of terrain, after the Bed Rack is installed.

HARDWARE LIST UNIVERSAL BASKET

Item #	Item Description	QTY	
1	Universal Basket Component (Left)	1	
2	Universal Basket Component (Right)	1	
3	Adjustment Board	1	
4	Connecting Bracket Front	1	
5	Connecting Bracket Rear	1	
6	Strengthening Plate	1	
7	Steel Mounting Post	6	Used for Polaris Ranger
8	8-1.25mm x 50mm Hex Bolt	6	
9	8mm Flanged Hex Nut	14	
10	8-1.25mm x 20mm Carriage Bolt	14	Hardware for installing Basket to Can-Am Defender & Polaris Ranger Utility Bed
11	8 x 22 x 2mm Flat Washer	6	
12	8-1.25mm x 35mm Hex Bolt	6	
13	8mm Lock Washer	6	
14	8 x 28 x 3mm Flat Washer	6	Hardware for installing Basket to the Can-Am Defender Utility Bed
15	8mm Nylon Lock Nuts	6	
16	Diamond Shaped Mounting Plate	6	
17	Plastic Caps	10	

HARDWARE LIST 24" HIGH SIDE PANELS

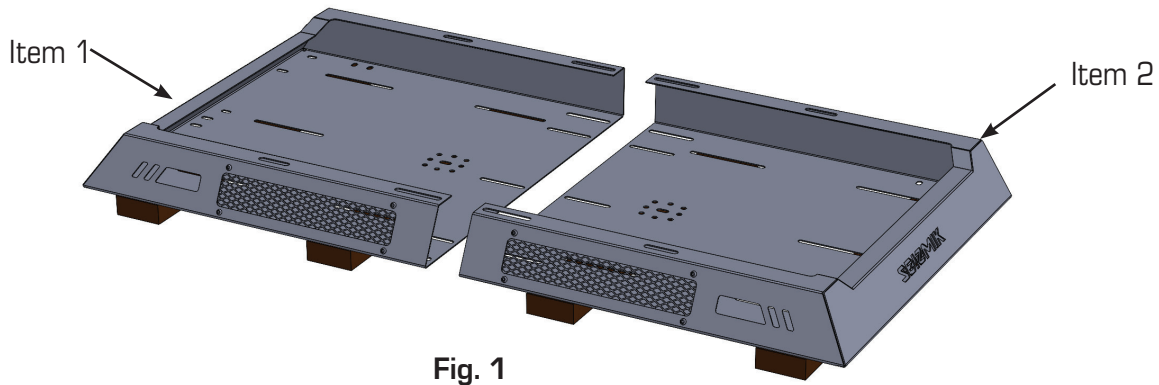
Item #	Item Description	QTY	Item #	Item Description	QTY
19	Full Height Side Rack(Left)	1	25	8-1.25mm x 35mm Hex Bolt	2
20	Full Height Side Rack(Right)	1	26	8 x 22 x 2mm Flat Washer	2
21	Corner Brace (Left)	1	27	8 x 28 x 3mm Flat Washer	2
22	Corner Brace (Right)	1	28	8mm Nylon Lock Nut	2
23	Diamond Shaped Spacer	2	29	8mm Flanged Hex Nut	14
24	8-1.25mm x 25mm Combo Bolt	14			

HARDWARE LIST 13" HIGH SIDE PANELS

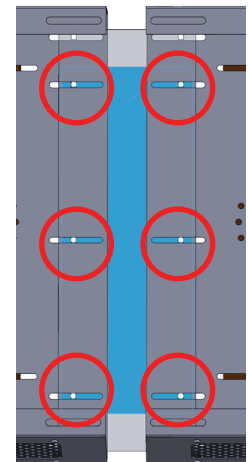
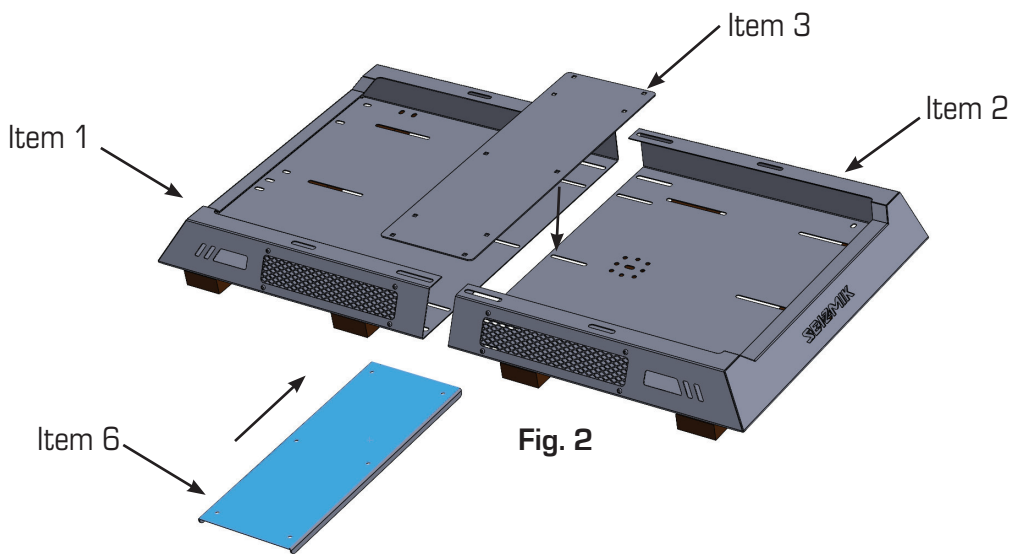
Item #	Item Description	QTY	Item #	Item Description	QTY
30	Half Height Side Rack (Left)	1	36	8-1.25mm x 35mm Hex Bolt	2
31	Half Height Side Rack (Right)	1	37	8 x 22 x 2mm Flat Washer	2
32	Corner Brace (Left)	1	38	8 x 28 x 3mm Flat Washer	2
33	Corner Brace (Right)	1	39	8mm Nylon Lock Nut	2
34	Diamond Shaped Spacer	2	40	8mm Flanged Hex Nut	14
35	8-1.25mm x 25mm Combo Bolt	14			

ASSEMBLY INSTRUCTIONS FOR UNIVERSAL BASKET

1. It is recommend and easier to assemble the universal basket if you are able to elevate and support both sides evenly. Set Universal Basket Component (Item 1, left) and Universal Basket Component (Item 2, right) on an even surface that is elevated as shown below in Fig 1.



2. Slide the Strengthening Plate (Item 6, highlighted blue) under the Universal Basket Component (Item 1, left) & Universal Basket Component (Item 2, right) as shown in Fig 2. Align the 3 center holes with the 3 center slots in the basket as shown in Fig. 3.



3. Place the adjustment board (Item 3) on the top surface of the Universal Basket Components (Items 1 & 2), and align the 3 square holes to the 3 slots in the left and right side Universal Basket Components. It is beneficial to have an assistant for this step.

3. Install six (6) Carriage Bolts (Item 10) from the top and loosely fasten with six (6) Flanged Nylon Lock Nuts (Item 9) as shown in Fig 4.

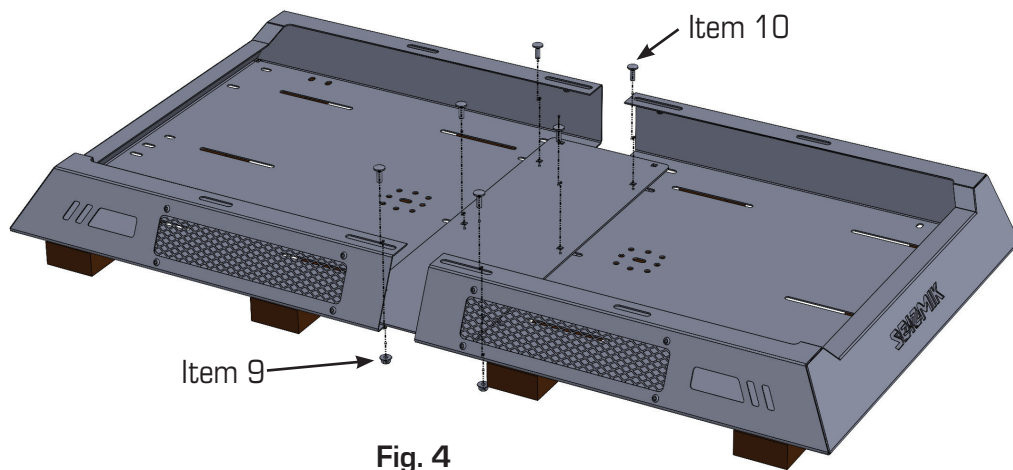


Fig. 4

4. Slide the Connecting Bracket Front & Connecting Bracket Rear (Items 4 & 5) over the Basket Components as shown in Fig 5. Align the holes to the slots in the Basket Components and secure with Carriage Bolts (Item 10) and Nuts (Item 9) as shown in Fig. 6. Do not fully tighten hardware yet.

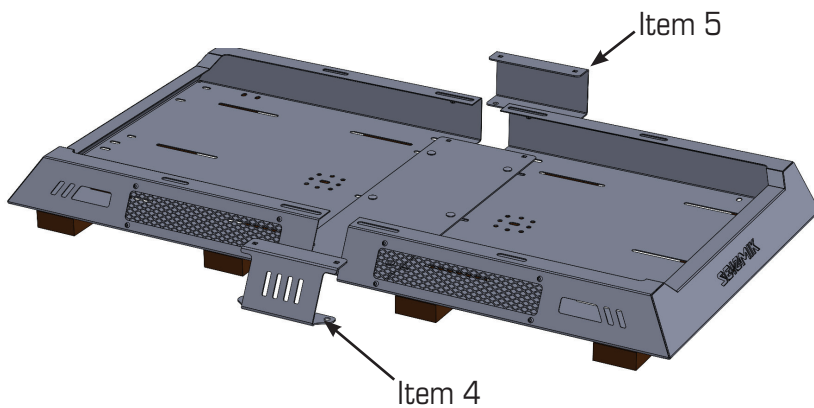


Fig. 5

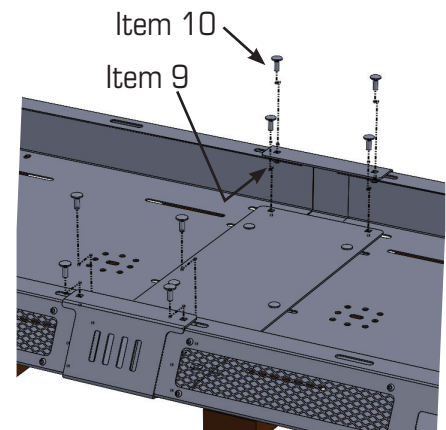
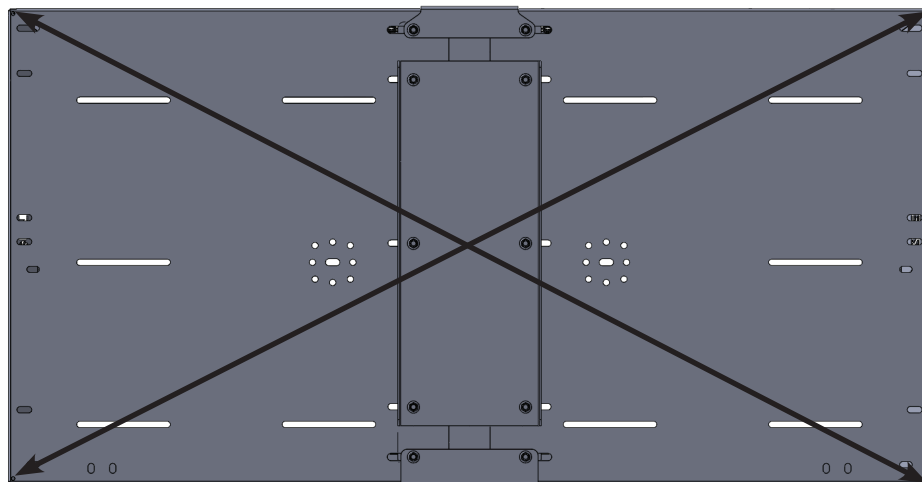
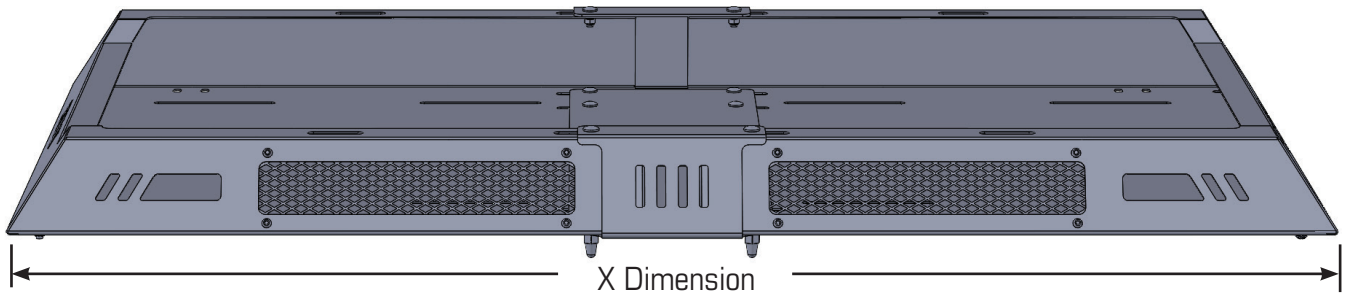


Fig. 6

5. With the components of the basket now assembled, check dimensions and finger-tighten hardware. Don't fully tighten hardware yet. Depending on the machine you are installing on, use the dimensions in the Measurement Guide below to set the width of the basket.

MEASUREMENT GUIDE

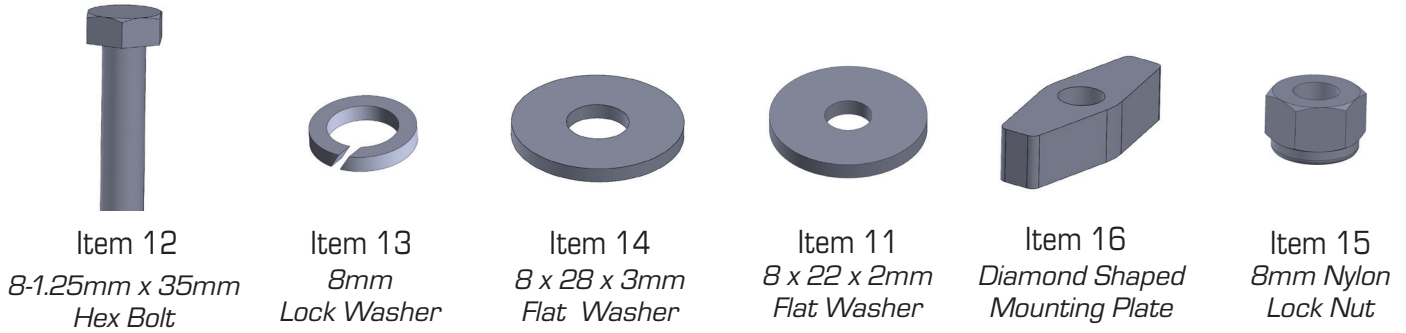
Machine	Dimension (X)
Can-Am Defender	58 3/8"
Polaris Ranger	56 1/4"



Note: To ensure the basket is square measure from corner to corner in both directions and make sure both dimensions measured are the same.

CAN-AM DEFENDER - MOUNTING UNIVERSAL BASKET DIRECTLY TO THE BED

Components Needed:



1. Create a bolt assembly using one (1) of Item 12, Item 13, and Item 14 as shown in Fig. 1. Repeat this step 5 more times to create six (6) bolt assemblies.

2. From the top of the bed rack, insert the bolt assemblies through the six (6) mounting holes as shown in Fig. 2. From underneath the basket, fasten each of the bolt assemblies using one (1) of Item 16, Item 11, and Item 15 as shown in Fig. 3. **Do not** fully tighten the nuts to the bolt at this time.

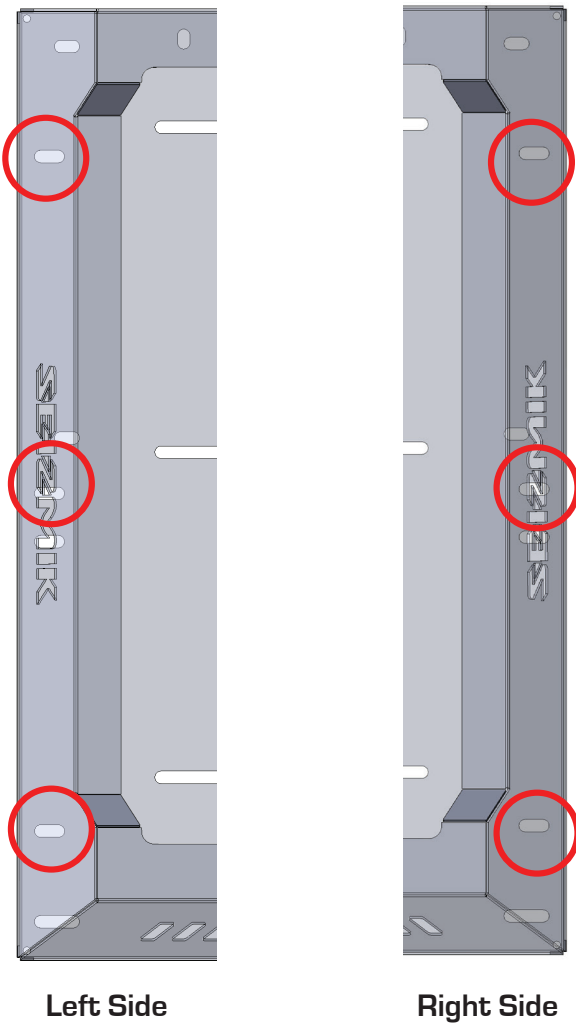


Fig. 2

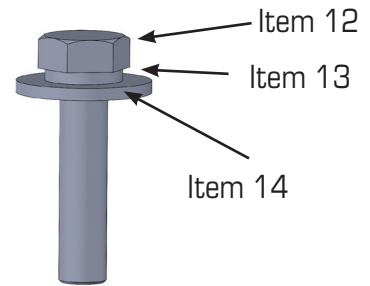


Fig. 1

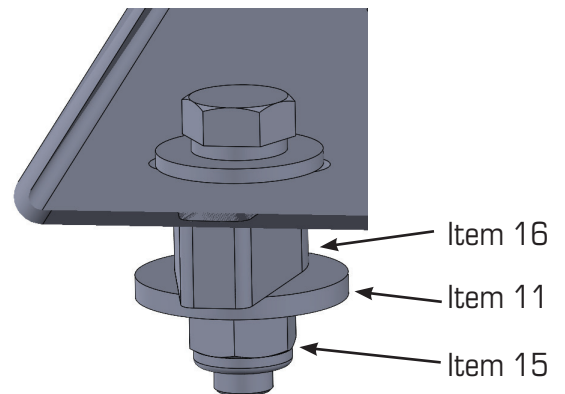


Fig. 3

3. Place the assembled basket onto the top of the bed aligning the diamond shaped mounting plates on the basket with the diamond cut out on the machines bed.

4. Once the Universal Basket is sitting flush to the bed, tighten up all 6 bolts.



POLARIS RANGER - MOUNTING UNIVERSAL BASKET DIRECTLY TO THE BED

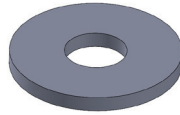
Components Needed:



Item 8
8-1.25mm x 35mm
Hex Bolt



Item 13
8mm
Lock Washer



Item 14
8 x 28 x 3mm
Flat Washer



Item 7
Steel Mounting
Post

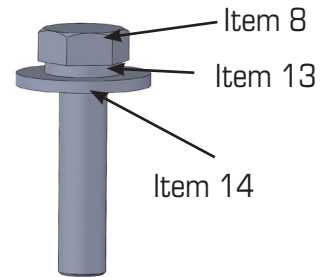
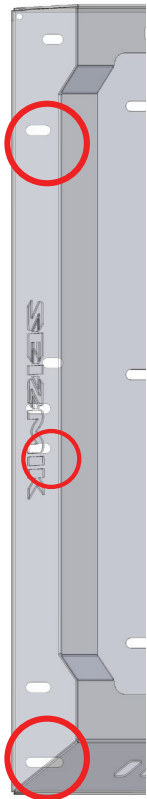


Fig. 1

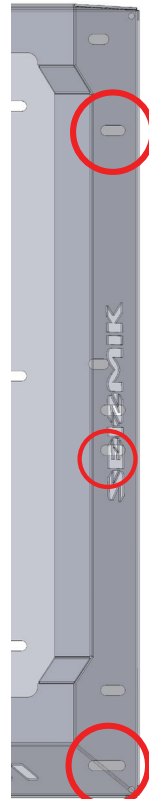
1. Create a bolt assembly using a bolt (Item 8), lock washer (Item 13), and a washer (Item 14) as shown in Fig. 1. Repeat 5 more times to create 6 bolt assemblies.

2. From the top of the basket, insert each of the bolt assemblies through the six (6) holes as shown in Fig. 2. Then install a Steel Mounting Post (Item 7) to each one of the bolts as shown in Fig. 3.

Do not fully tighten the bolts at this time.



Left Side



Right Side

Fig. 2

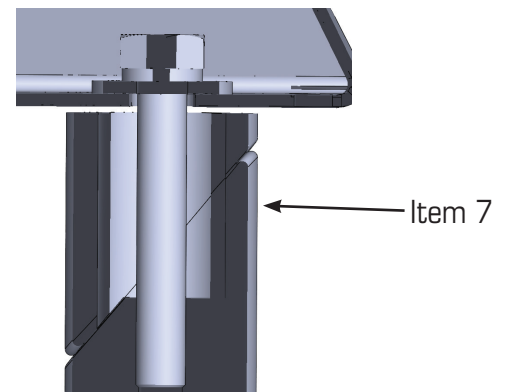


Fig. 3

Note: Make sure the threading on the post is at the bottom to engage with the bolt.

3. Place the assembled basket onto the top of the bed, aligning the mounting post to the round holes in the machine's bed.

4. Once the universal basket is sitting flush to the machine's bed, tighten all 6 bolts. Tightening the bolts will allow for the mounting post to expand and tighten to the bed.



MOUNTING SIDES TO THE BASKET

USE THE FOLLOWING STEPS TO COMPLETE INSTALLATION OF THE 24" SIDES. THE SAME PROCESS APPLIES TO THE 13" SIDES.

1. Now that the Universal Basket is assembled. Note the dimensions of the sides, and confirm dimensions per the Measurement Guide on the previous page.
2. It's ideal to have an assistant for mounting the sides. If you are not able to, find something sturdy enough to lean the Universal Basket against so you are able to assemble the sides more easily. Tip the Universal Basket back so the Connecting Bracket Front is facing up as shown in Fig.1.
3. Grab one of the sides and align the holes on the top of the Side Panel (Items 20, 31) to the holes in the bottom of the Universal Basket as shown in Fig 2.

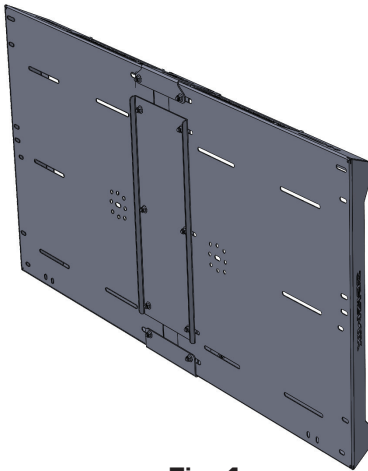


Fig. 1

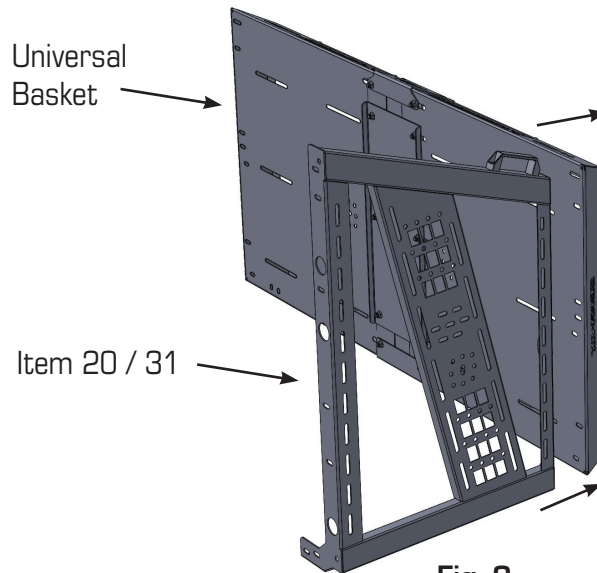


Fig. 2

4. Locate the 3 mounting holes of the Side Panel to the mounting holes on the Universal Basket and secure with Bolts (Item 24 or 35), Lock Washers (Item 12), Washers (Item 13), and Lock Nuts (Item 8) as shown in Fig. 3. Repeat for other 3 locations on opposite side.

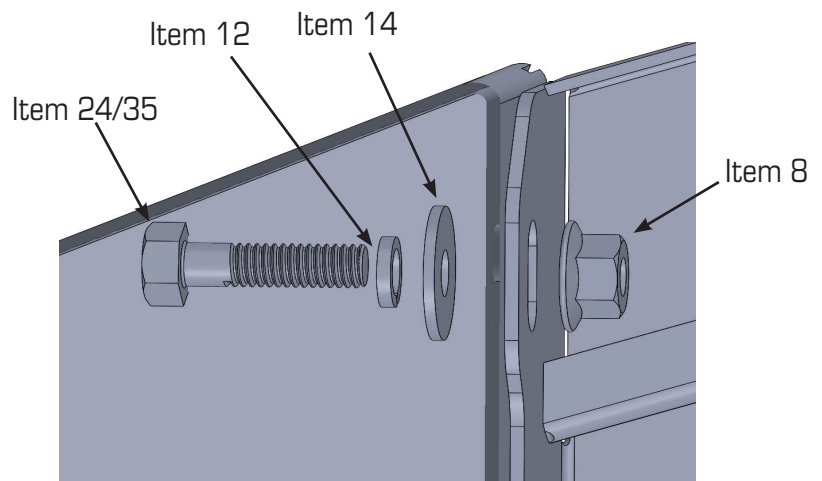


Fig. 3

5. With both sides attached to the basket, install the Corner Brackets (Item 21, 32, 22, 33). Align the Corner Bracket for each side to the holes at the top of the Side Panels and the bottom of the Universal Basket as shown in Fig. 4. Secure with Bolts (Item 29, 40) and Nuts (Item 29, 40). Hand tighten hardware, but **do not** fully tighten at this time. Repeat on the opposite side.

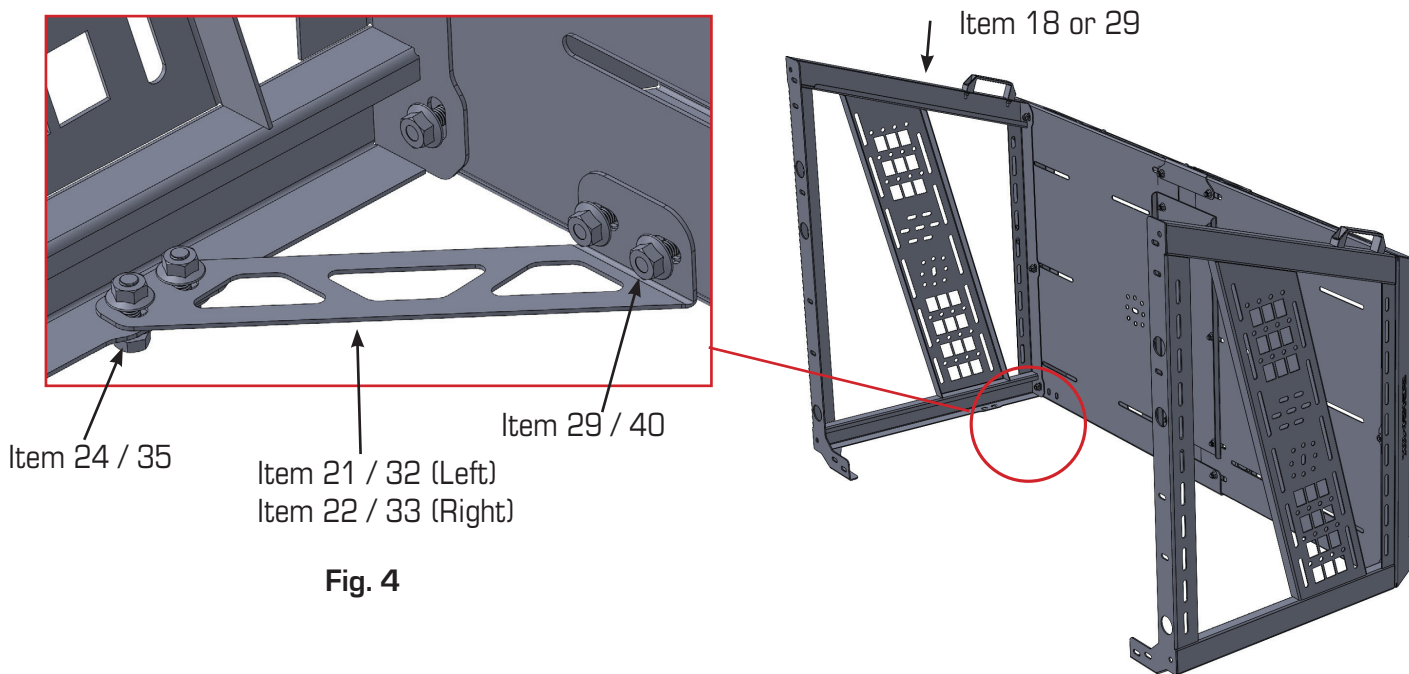
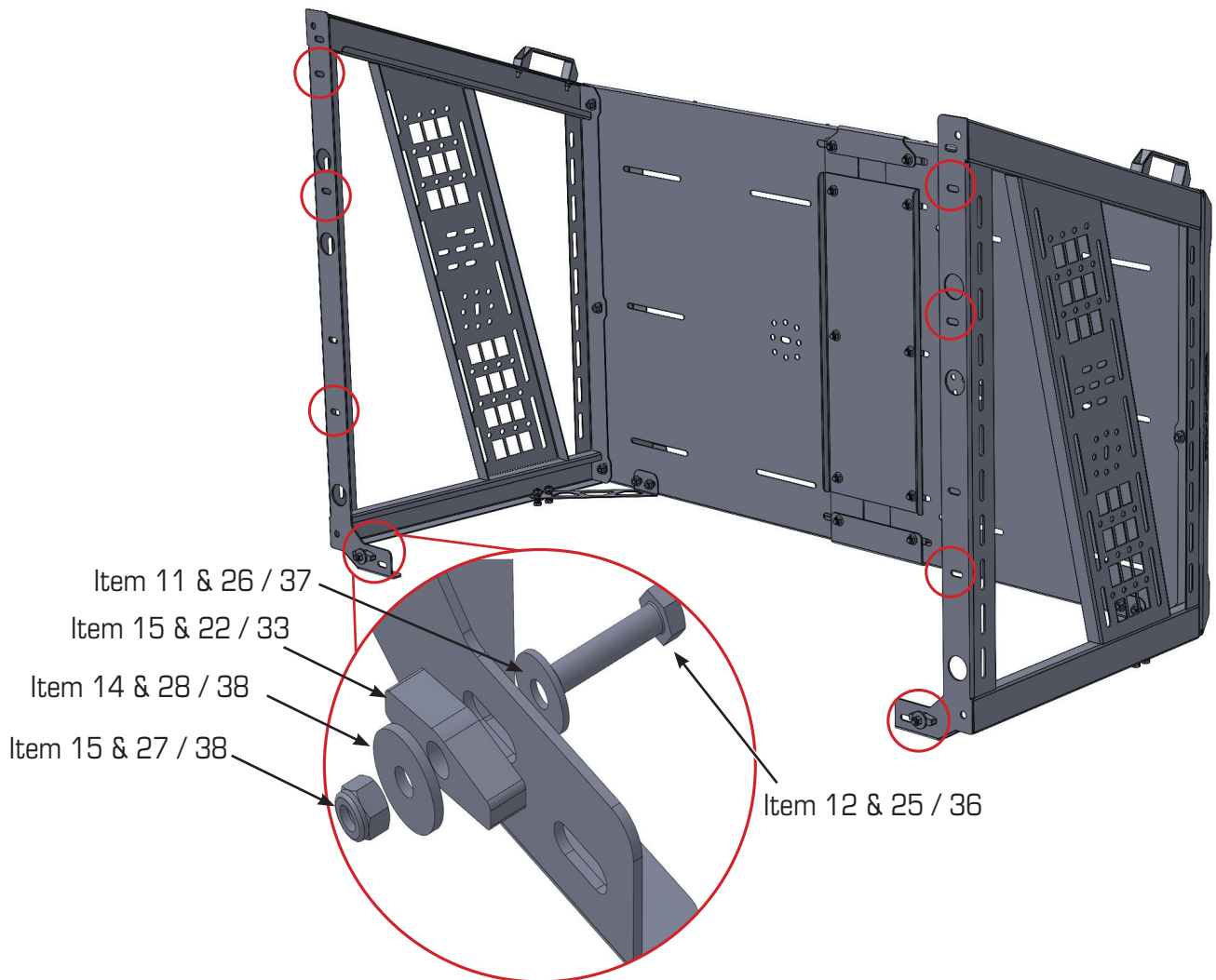


Fig. 4

INSTALLATION OF RACK TO MACHINE

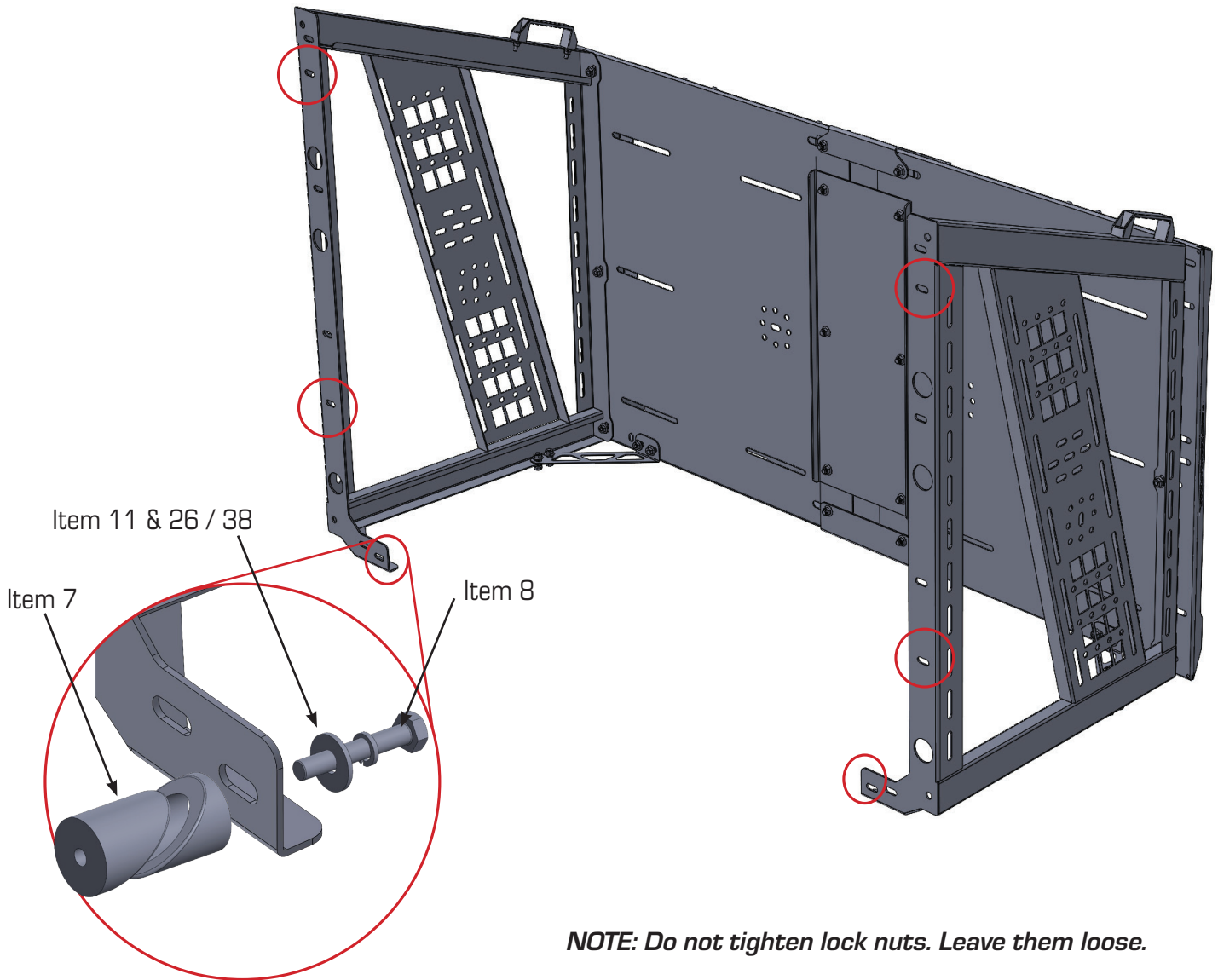
Depending on the machine you are installing on, refer to the following images for the locations of the mounting hardware.

CAN-AM DEFENDER



NOTE: Do not tighten lock nuts. Leave them loose.

POLARIS RANGER



NOTE: Do not tighten lock nuts. Leave them loose.

7. After all the mounting hardware has been installed loosely to the rack, with the help of an assistant, lift the rack up onto the bed rails of the machine. Locate the slots on the machine and the hardware on the rack, and align them until the frame of the rack is sitting flush to the bed. Tighten all the hardware on the bed frame until the rack is fully secured. Once secured, go back and fully tighten the hardware on the Corner Brackets and double check the hardware on the Universal Basket. Check that the Rack is square to the bed and adjust if needed.

Note: The bed rack does not limit using the dump bed feature on your machine. It is not recommended to have items loaded into the basket while using the dump feature.

Max dynamic load is 225 lbs. for the basket while assembled to either the 24" Sides Panels or the 13" Side Panels. While the rack is robust to handle more, too much weight elevated high on your machine can cause the machine to roll easier. Use extra caution while driving with additional weight.



Enjoy endless configurations for additional storage to help you do what you do, better.

