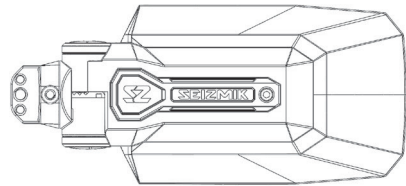


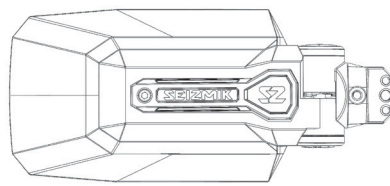
TRAILHEAD MIRROR - 56-90095KIT  
INSTALLATION MANUAL

PARTS LIST

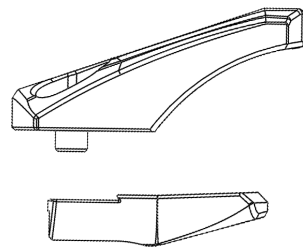
Driver side Mirror



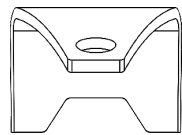
Passenger side Mirror



Pro-fit and Profiled clamp assembly (2)



Stainless steel hook (2)



M6 x 6mm button head bolts (2)



M6 x 25mm socket head bolts (4)



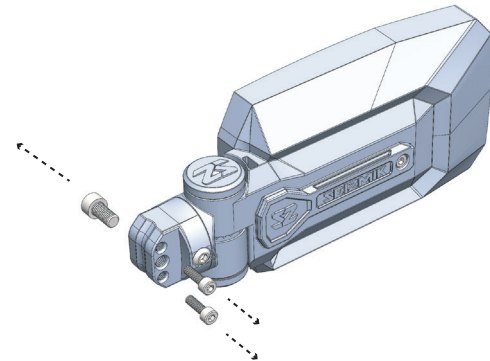
M8 x16mm socket head bolts (2)



M6 x 12mm button head bolts (4)

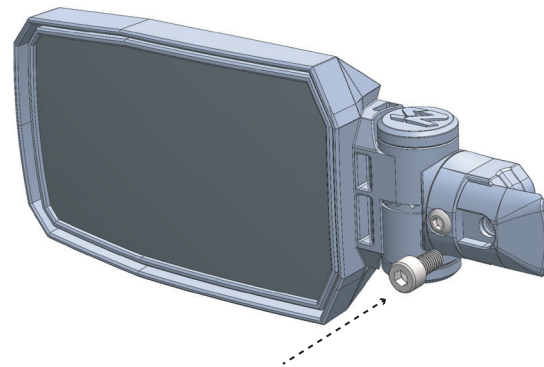


STEP 1



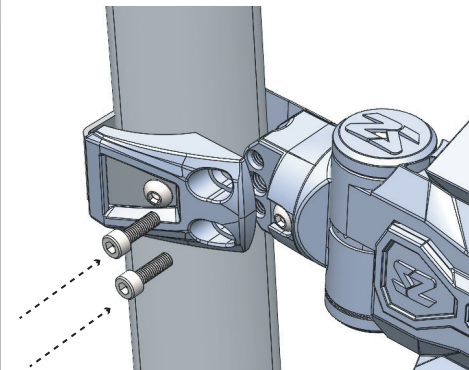
Disassemble 3 bolts by unscrewing.

STEP 2



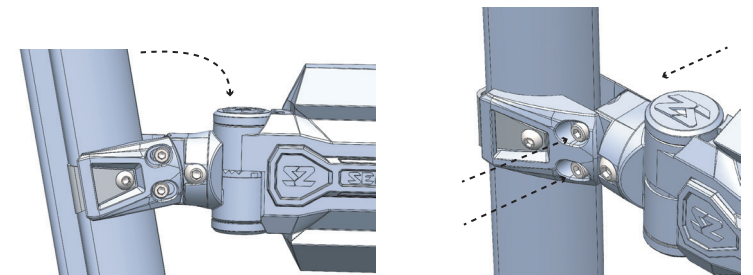
Assemble bottom half clamp using M8 x16mm bolt.  
**TIGHTEN IT ALL THE WAY.**

STEP 3



Place both halves of the clamp around roll cage tube. Loosely assemble them by screwing M6 x 25mm bolts. **DO NOT TIGHTEN THEM ALL THE WAY YET.**

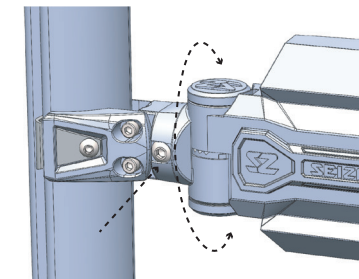
STEP 4



Rotate mirror on clamp so that it is level and provides desired viewing angle.

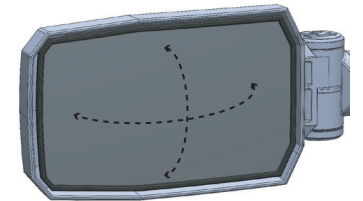
Tighten M6 x 25mm bolts to secure the clamp on the roll cage once adjustment is complete.

STEP 5



Loosen M6 x 12mm bolts to rotate mirror housing for desired angle. Re-tighten bolts once adjustment is complete.

STEP 6



Adjust mirror tray by pushing edges of the tray for final adjustment.