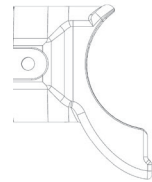
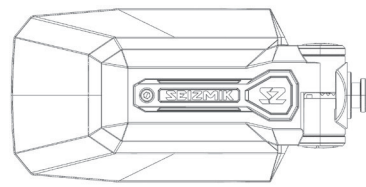
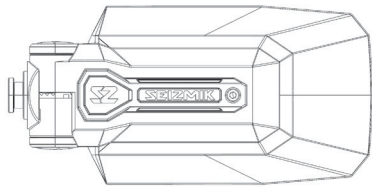


TRAILRIDER MIRROR - 56-18113
INSTALLATION MANUAL

PARTS LIST

Driver Side Mirror

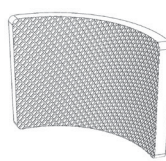
Passenger Side Mirror



54-96327-
Clamp Base (2)



54-96328 -
Clamp End (2)



54-96331 -
Rubber Pad (2)



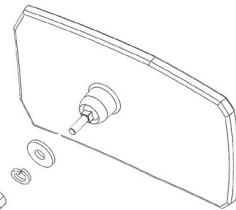
M6x25mm Socket
Head Cap Screw (4)



54-SW-90176
M6x10mm Button
Head Screw (4)



54-90040 -
M6 Lock
Nut (4)



54-SW-19021
Replacement Mirror Assy &
Hardware

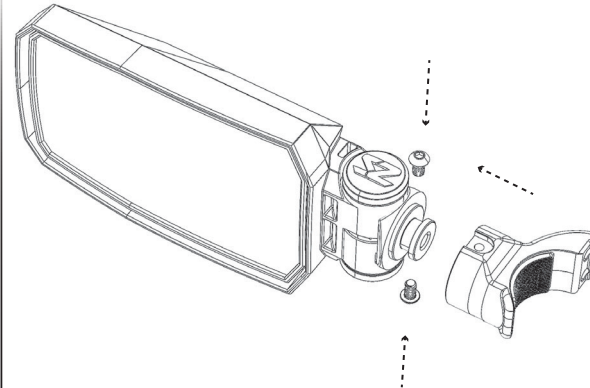
service@seizmik.com

1-866-838-3366
between 9:00AM and 5:00PM EST.

www.seizmik.com/customer-support



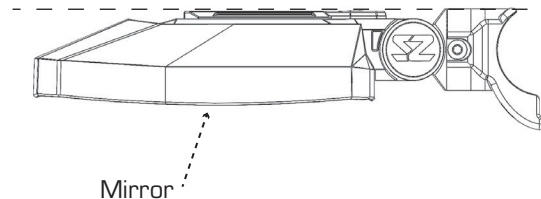
STEP 1



Assemble the Clamp Base to one of the Mirrors by sliding the Clamp Base over the post sticking out of the mirror. Screw in both M6x10 Button Head Screws as shown. The screws should be tight enough to keep the mirror from twisting.

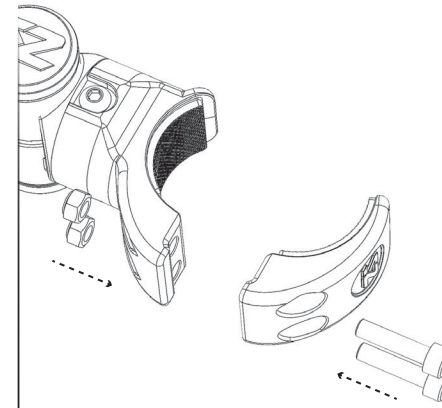
STEP 2

Front of Machine



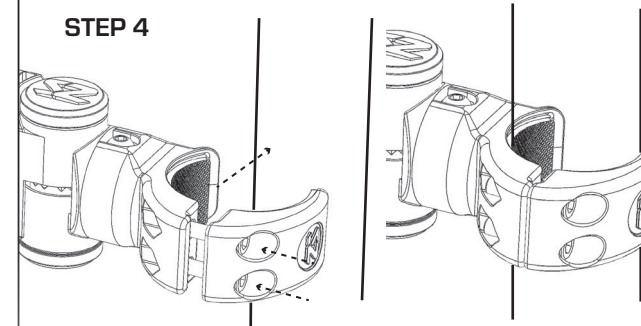
A good starting point make sure the Clamp Base is perpendicular to the mirror in the orientation shown above.

STEP 3



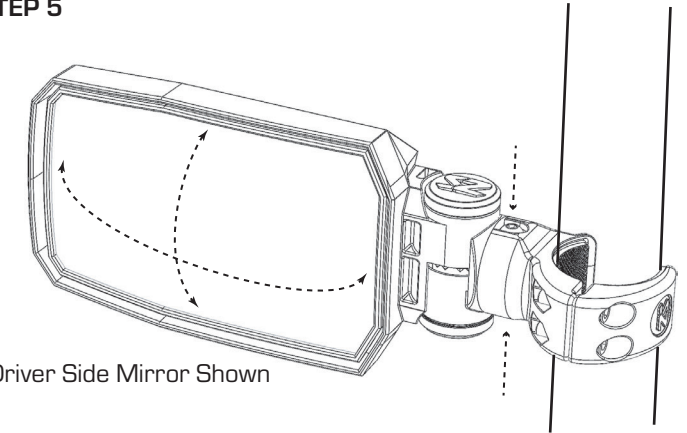
Now, insert the M6 Lock Nuts into the slots on the Clamp Base and install the M6x25mm Socket Head Cap Screw through the Clamp End. Tighten the screws so they engage with the nuts but the clamp is still loose.

STEP 4



Slide the clamp around the A-pillar in the location that works best for you. Hold the mirror and tighten the two M6x25mm Socket Head Cap Screws until it's tight and secured to the A-pillar.

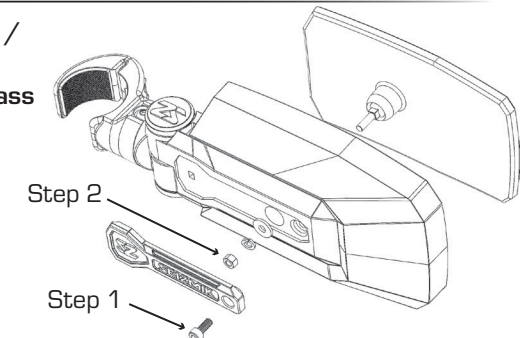
STEP 5



Driver Side Mirror Shown

Tighten both M6x10 Button Head Screws when the mirror is at your desired viewing angle. Adjust mirror tray by pushing edges of the tray for final adjustment.

Replacing /
Adjusting
Mirror Glass



Step 1: Remove the M5 Screw from the back of the mirror housing.
Step 2: You can tighten or loosen 5mm nut a little at a time to adjust the mirror glass ball joint tension; or remove it and washers to replace Mirror Glass.