



**Instructions for Installation 51-20999 Kawasaki KRX 100 Soft Door Kit
(KAW-KRX-SDK01)**

Notice: Do not smoke inside the cab or expose the enclosure to direct flames. Cab Material is Flammable.

1. Be sure to read these instructions thoroughly before opening and installing the Kawasaki KRX 1000 Soft Door Kit. The installation is best done when the temperature is 70 degrees F or warmer. The temperature affects the adhesive Velcro, if conditions prevent installing in warmer weather, store the adhesive Velcro at room temperature prior to installation.
2. Carefully open the carton and remove the enclosure on a large flat surface that is clean and free of dirt.
3. Check the parts included in the carton with the parts list shown below:

Included Parts:

Soft Doors (Front)	2pcs
2in Adhesive Backed Hook Velcro	18pcs x 3in Length
2in Adhesive Backed Hook Velcro	2pcs x 5in Length
Snap Studs	24pcs

If any parts are damaged or missing, please contact customer service at +1(800)-213-7981.

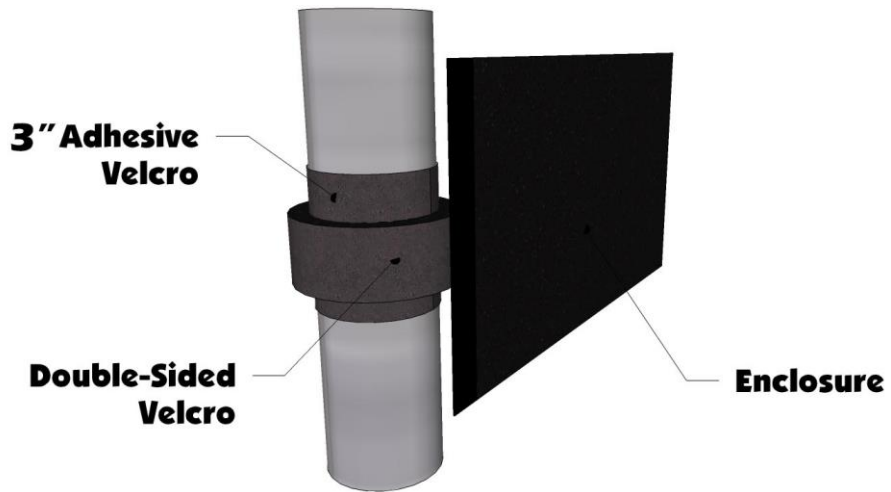
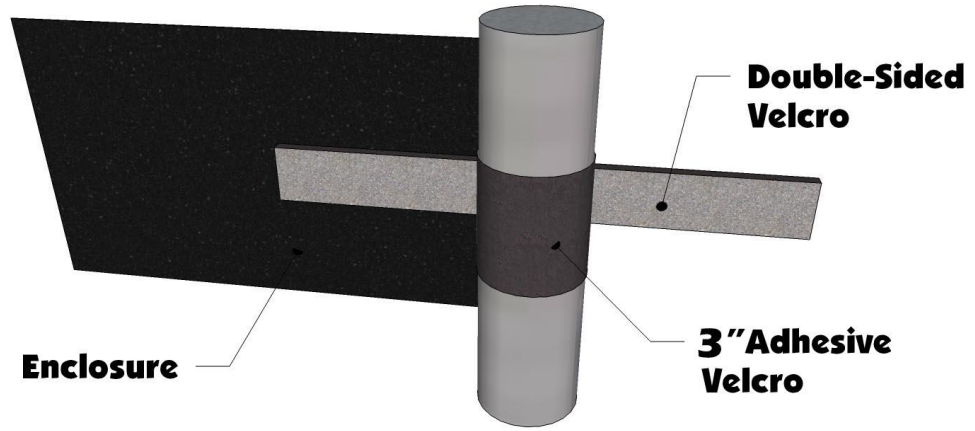
Note: Loosening or even removing a previously installed windshield or top will make installation much easier.

Tools Needed for Installation:

1. Phillips Screwdriver or Electric Screwdriver with Phillips bit.
Note: If using an electric screwdriver, set torque to a low setting to avoid overtightening while installing the snap studs. This can damage the body panels.

Soft Door Installation

1. Begin by holding the front door up to the frame and attach it using the double-sided Velcro strips sewn onto the edge of the door. The edge of the door should be about 1/2in above the center line of the frame. Clean the area near each of the double-sided Velcro straps. At location of each double-sided strip, take one of the 3" adhesive Velcro strips and adhere it to the inside of the frame. Then wrap the double-sided strip around it so that the adhesive strip holds it firmly in place. Also note the placement of the 5in adhesive Velcro strip in the top front corner on each side. The following diagrams shows how it should look.



Location of each Velcro tab.



2. Next install the threaded snap studs into the body at the location of each snap. It is best to work from the front to the rear of the unit when installing the snap studs. The following image shows the location of each snap. Be sure to pull the door tight as you locate each snap stud to ensure proper fit of the door.



Cleaning and Storage Recommendations:

1. Before removing the Cab for storage, make sure it is very clean in order to prevent scratching of the window panels. Clean with a soft rag or sponge using a mild liquid detergent soap and warm water solution. Never rub the windows with a dry cloth or rag! Let the Cab dry thoroughly before attempting to roll for storage.
2. It is important that the Cab be rolled up for storage rather than folding. Folding will cause damage to the windows!!! Carefully roll up the Cab similar to the way it was when it was packed at the factory. On a large, clean and flat surface, fold the doors over the rear panel first, then, interleave the top and windshield on top of the doors. Begin rolling the Cab into a roll approximately 8 inches in diameter. Put the rolled Cab back into the carton for storage at a normal room temperature. It is best not to expose the Cab to either extreme hot or cold temperatures when storing.

If you have any questions, comments, need assistance, or are missing parts, please contact us by one of the methods below.

 **service@seizmik.com**

 **1-866-838-3366**
between 9:00 AM and 5:00 PM EST.



www.seizmik.com/customer-support



WARNING: This product contains a chemical known to the State of California to cause cancer. For more information, go to www.P65Warnings.ca.gov.