



Part Number - 51-20992

Installation and Care for Polaris Ranger Soft Door Rear Window Combo

Caution: Do not smoke inside the cab or expose the enclosure to direct flames. Cab is Flammable.

Be sure to read these instructions thoroughly before opening and installing the enclosure. The installation is best done when the temperature is 70 degrees F. or warmer. The temperature affects the adhesive Velcro, if conditions prevent installing in warmer weather it helps to store the adhesive Velcro at room temperature prior to installation.

1. Carefully open the carton and remove the enclosure on a large flat surface that is clean and free of dirt.
2. Check over the parts included in the carton with the parts list shown below:

Adhesive Velcro Hook Strips:

Soft Doors

18 each 3 inches

2 each 38 inches

Snap Screw Studs - 4 each (2 extra)

Adhesive Velcro Hook Strips:

Rear Window

8 each 3 inches

1 each 30 inches

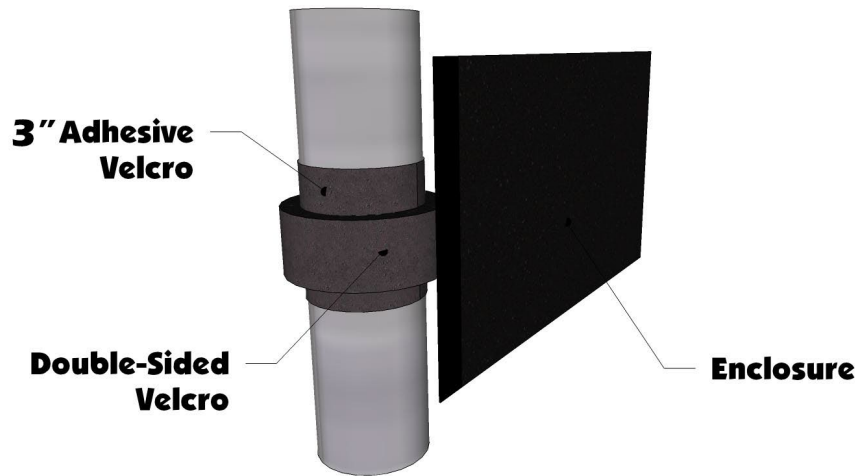
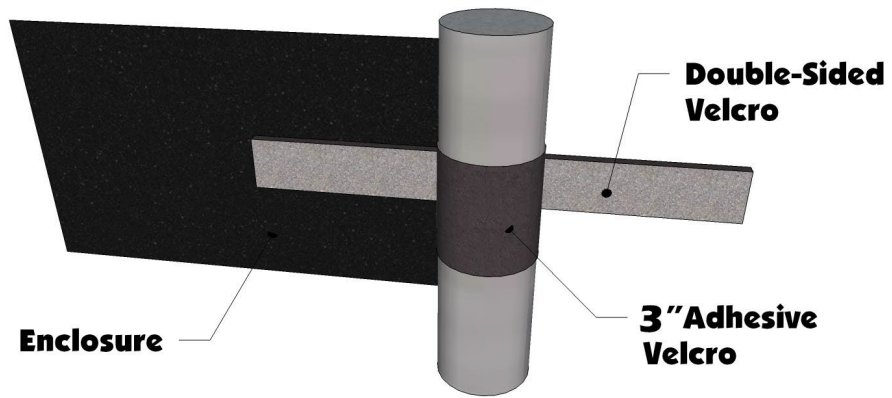
1 each 55 inches

The cab for your Ranger is made up of 3 different components that work together to enclose your vehicle. Install the cab in the following order.

- 1) Soft Doors
- 2) Rear Window

Soft Doors:

1. Begin by holding the door up to the frame and attach it using the double-sided Velcro strips sewn perpendicular to the edge of the door. At each of the double-sided strips take one of the 3" adhesive Velcro strips and adhere it to the inside of the frame. Then wrap the double-sided strip around it so that the adhesive strip holds it firmly in place. The following diagrams show how it should look.



2. Next take the 38" adhesive Velcro strips and run it down the back of the roll cage facing towards the rear of the vehicle. Start at the bottom and work your way up the bar. You will see the double-sided Velcro tabs sewn along the back of the doors. See photos below.



3. Once all the Velcro is in place the last thing to do is install the screw snap studs. **NOTE: The best way to install the snap studs is to put them in the sockets in the door first. Then push them into the plastic to make a mark. Then pull the screw stud out and screw it into the plastic where the mark was made. See Photos Below.**



REAR WINDOW:

4. Begin by placing the 30" adhesive Velcro strip centered across the top of the roll cage. Make sure to place them on top of the bar.
5. Next place the 55" strip across the bottom of the frame. It goes on the metal strip that faces the rear of the vehicle.
6. Then take the Rear Window and attach it across the bottom first making sure that it is centered properly. Pull it up and attach the top.
7. Next attach the sides of the Rear Window to the tabs on the back of the doors. See photo below.



Cleaning and Storage Recommendations:

1. Before removing the Cab for storage, make sure it is very clean to prevent scratching of the window panels. Clean with a soft rag or sponge using a mild liquid detergent soap and warm water solution. Never rub the windows with a dry cloth or rag! Let the Cab dry thoroughly before attempting to roll for storage.
2. It is important that the Cab be rolled up for storage rather than folding. Folding will cause damage to the windows!!! Carefully roll up the Cab like the way it was when it was packed at the factory. On a large, clean, and flat surface, fold the doors over the rear panel first, then, interleave the top and windshield on top of the doors. Begin rolling the Cab into a roll approximately 8 inches in diameter. Put the rolled Cab back into the carton for storage at a normal room temperature. It is best not to expose the Cab to either extreme hot or cold temperatures when storing.

If you have any questions, comments, need assistance, or are missing parts, please contact us by one of the methods below.

 service@seizmik.com

 **1-866-838-3366**
between 9:00 AM and 5:00 PM EST.



www.seizmik.com/customer-support



WARNING: This product is designed to protect from the elements of weather and is not designed for passenger retention purposes. Vehicle passengers should not lean on or against the doors. All passengers should wear seat belts while the vehicles is in use. Passengers leaning on or against the doors or failure of passengers to wear seat belts could result in serious bodily injury or death, especially when the vehicle is in operation.



WARNING: This product contains a chemical known to the State of California to cause cancer. For more information, go to www.P65Warnings.ca.gov.