



Installation & Operations Manual : Seizmik Toolless Windshield

Installation Information:

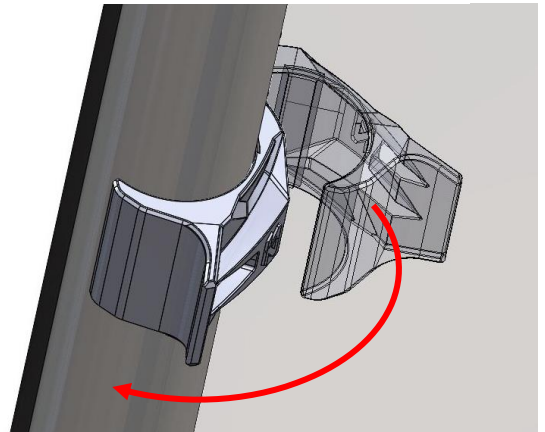
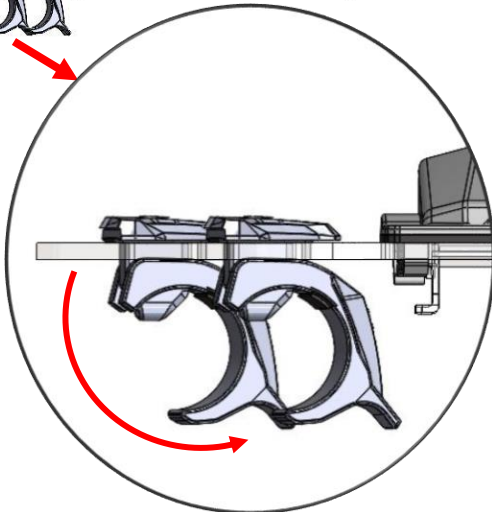
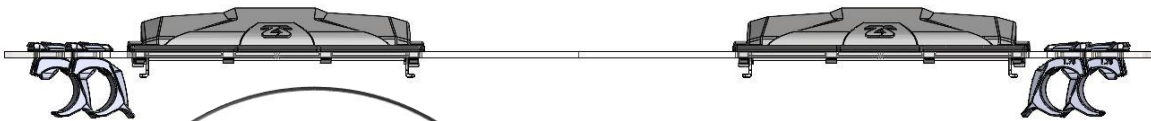
This product does not require any modifications to your vehicle. Please familiarize yourself with all the steps before beginning assembly.

If you have any questions, comments, need assistance, or are missing parts, please visit our website <http://seizmik.com/customer-support> Or email us at service@seizmik.com. Visit www.seizmik.com for more information on our product or call 1-866-838-3366 between 9:00AM and 5:00PM EST.

Note: Generic windshield shown. Actual windshield for your vehicle may look different



Installation:

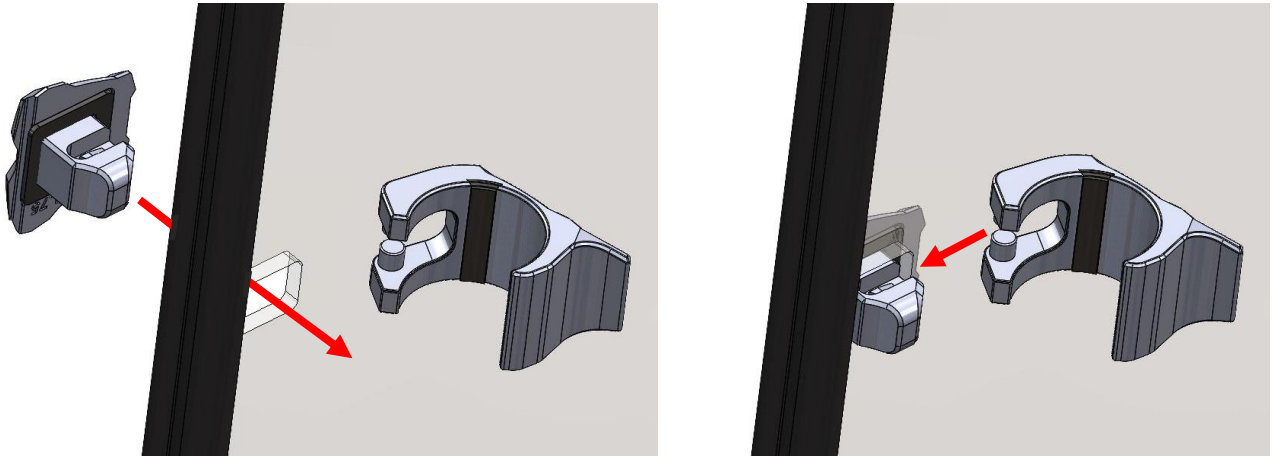


1. Begin by rotating all clamps to their open position towards the front of the windshield

2. Put windshield in place on the vehicle and snap all clamps over the roll cage.

Clamps for round tubing shown. Installation for profile tubing is the same.

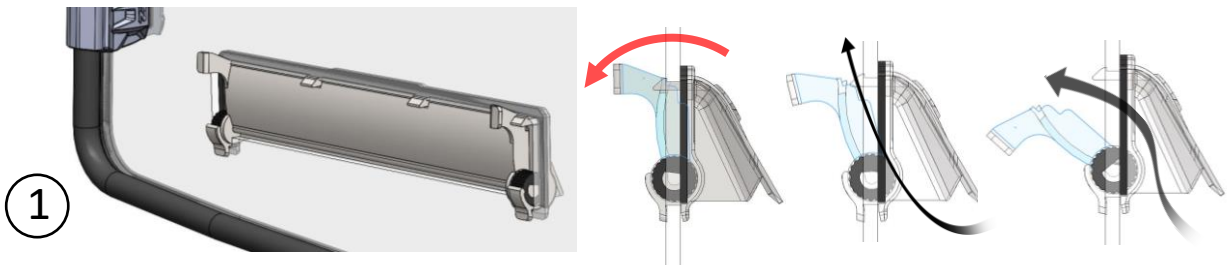
Clamp Installation:



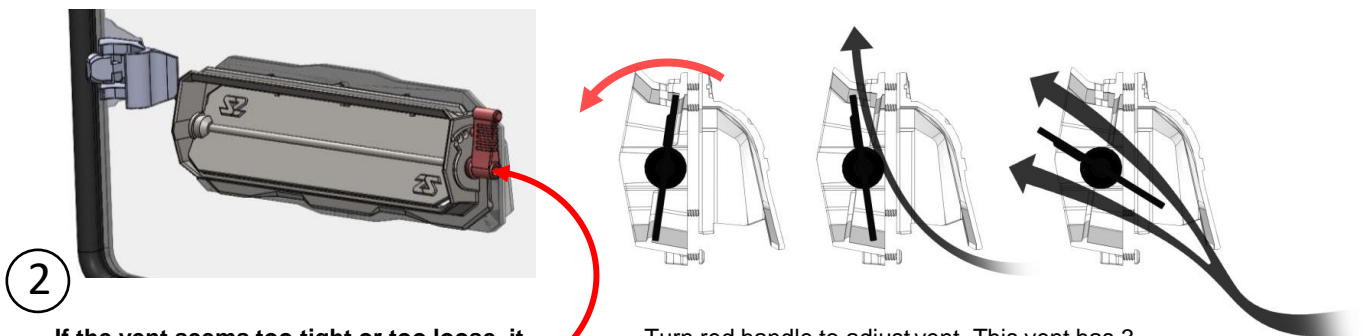
The Seizmik Toolless Clamps should come fully assembled on your windshield. It is possible that one or more of the clamps could come apart during shipping. If this happens simply put the base back through the hole in the windshield, then snap the clamp back into the slots in the base

VENT OPERATION:

There are two possible vent styles:



This vent has multiple detents to hold the position of the flap. Open ONE click for Defog, after that, adjust to suit.



If the vent seems too tight or too loose, it can be adjusted by turning the T10 Torx screw in the handle.

Turn red handle to adjust vent. This vent has 3 positions: Closed, Defog, and open.