



# Installation & Operations Manual

## 2013-2019 Polaris Ranger XP 900/1000

## 2015-2019 Mid Size Ranger Versa-Fold

**Part Numbers**  
**Full Size**  
**UV-coated Poly #24001**  
**Double Side Hard Poly #25001**  
**Midsize/2-Passenger**  
**UV-coated Poly #24003**  
**Double Side Hard Poly #25003**



### Installation Information:

This product does not require drilling or modifications to the vehicle. Please familiarize yourself with all the steps before beginning assembly.

### Compatibility Info:

This windshield is designed to work with other Seizmik branded Accessories for the Polaris Ranger as well as OEM Polaris branded hard tops. Please note Seizmik cannot guarantee fitment with other branded aftermarket products. Please research installation details on our products and others when trying to combine different branded accessories.

Seizmik makes Windshields, Mirrors, Cab Systems, Light Bars, Storage Boxes, Hood Racks, and other great accessories for UTV's to maximize the vehicles usefulness. To help you do what you do better.

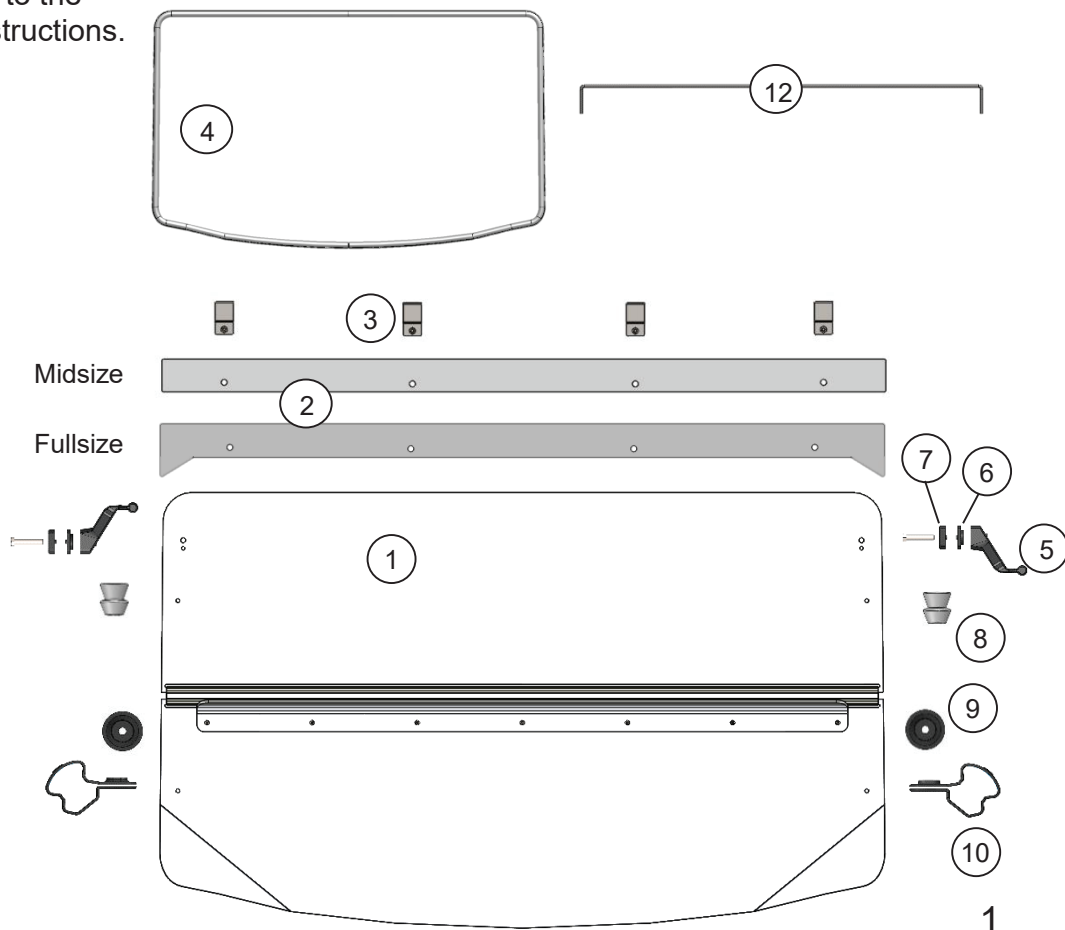
If you have any questions, comments, need assistance, or are missing parts, please call 1-866-838-3366 between 9:00AM and 5:00PM EST. Or email us at [support@seizmik.com](mailto:support@seizmik.com). Visit [www.seizmik.com](http://www.seizmik.com) for more information on our products.

For individual part numbers refer to the appendix at the back of these instructions.

## Parts:

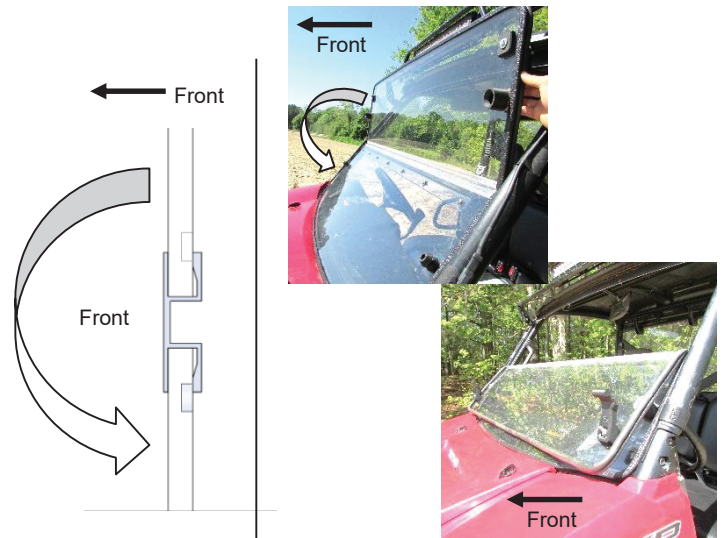
### Kit Contents:

1. Folding Windshield with stiffening rib (midsize does not have stiffening rib)
2. Header Panel
3. Header Panel Brackets (4)
4. Bulb Gasket
5. Pro-fit Windshield Lever (2)
6. Windshield Lever Mounting Plate Inner (2)
7. Windshield Lever Mounting Plate Outer (2)
8. Windshield rubber push plug (3 for full size, 2 for mid)
9. Windshield rubber push plug receiver (3 for full size 2 for mid)
10. Pro-fit Windshield Clamps (2)
11. Stiffening Rib (Full Size Only)
12. Stick-on Gasket





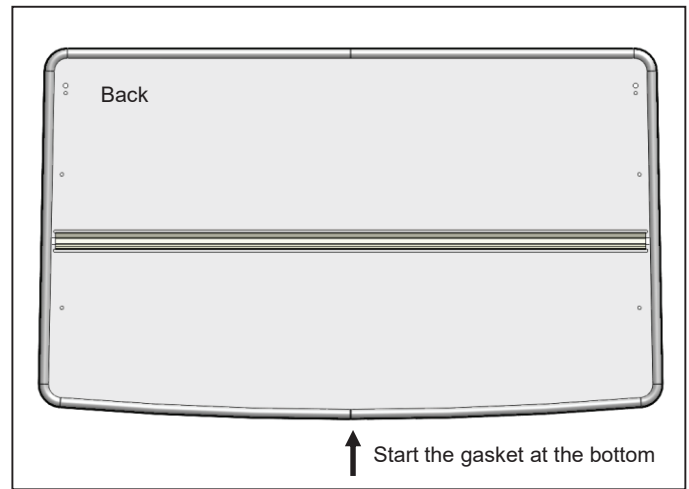
1. Peel the plastic fil back from all edges and holes of the windshield before beginning. Remove after windshield is fully installed.



2. **NOTE: The orientation of gasket and parts are very important. See above.** The hinge will **ONLY** allow the windshield to fold down flat in one direction.



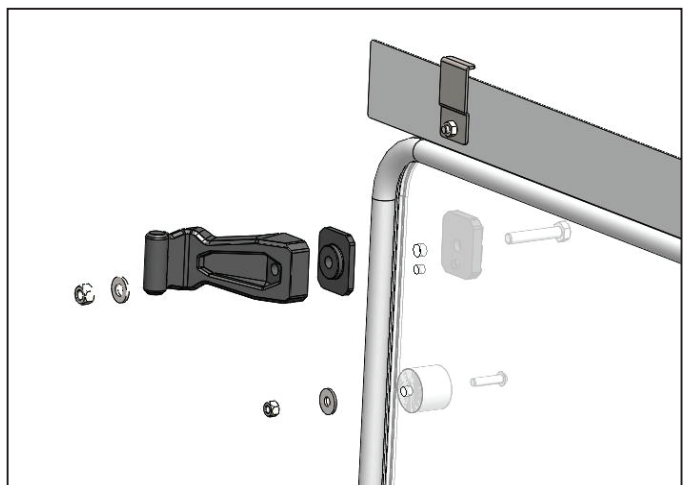
3. Place a piece of tape marking the front side of the windshield according to step 2.



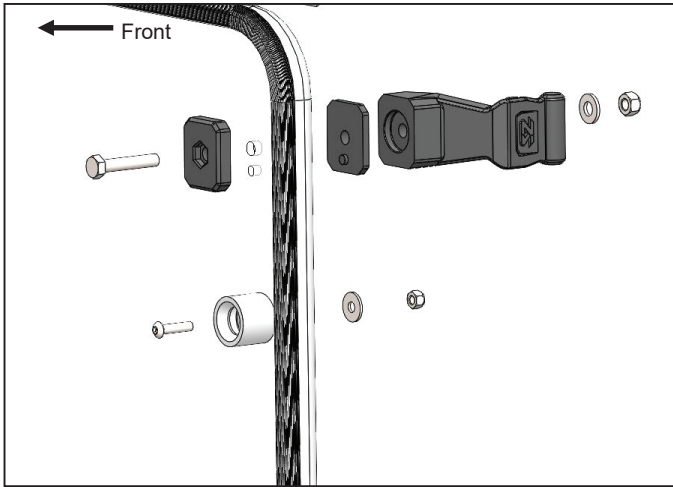
4. Attach the gasket with the bulb facing the **BACK** of the windshield. The gasket will seal between the windshield and the vehicle. Start the gasket at the middle of the bottom windshield.



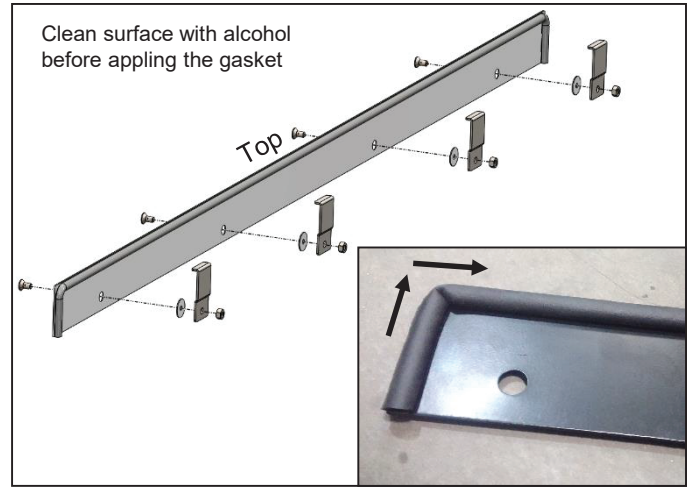
5. Press the channel of the gasket into the windshield. The bulb of the gasket should be facing the back of the windshield. It may help to use a rubber mallet to tap on the back of the gasket channel.



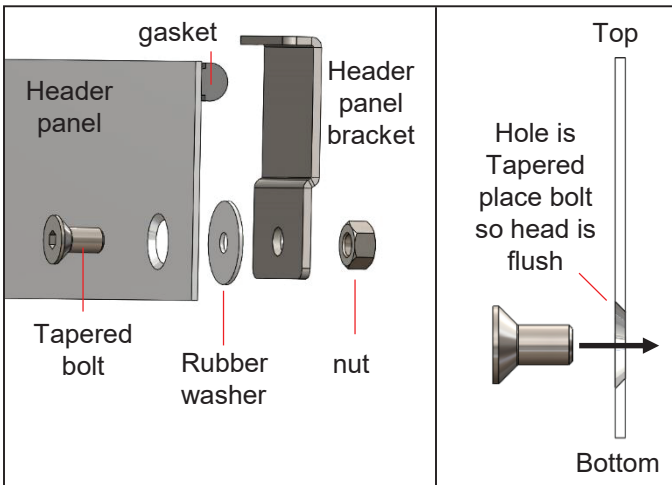
6. Attach the Lever using the inner and outer windshield mounting plates. The lever should be tight enough to just be able to turn with some force. The lever should be on **BACK** of the windshield.



**7.** Attach the female rubber push plug in the single hole below the plastic lever. The plug should be on the **FRONT** of the windshield. If you have a full size, attach one in the center hole also.



**8.** Loosely attach the header panel brackets on to the header panel. Attach the adhesive gasket to the sides and top of the header panel. Bend the gasket around corners. See step 5 for details.



**9.** Insert the tapered bolt into the countersunk side of the hole. The adhesive gasket should be on the same side as the brackets. Loosely attach the header panel brackets with the tapered bolts, nut and washer.



**10.** Place the header panel assembly on the windshield plane of the vehicle near the roof. The brackets should be facing the inside of the vehicle.



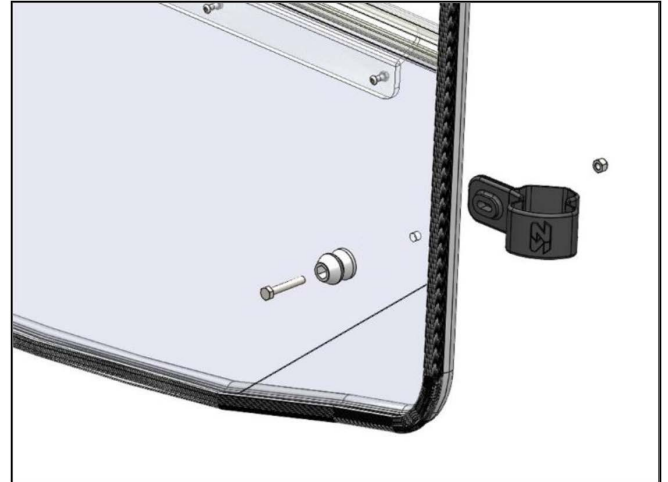
**11.** Flip the header panel brackets over and attach secure to the vehicle by tightening the hardware. See step 9 for details.



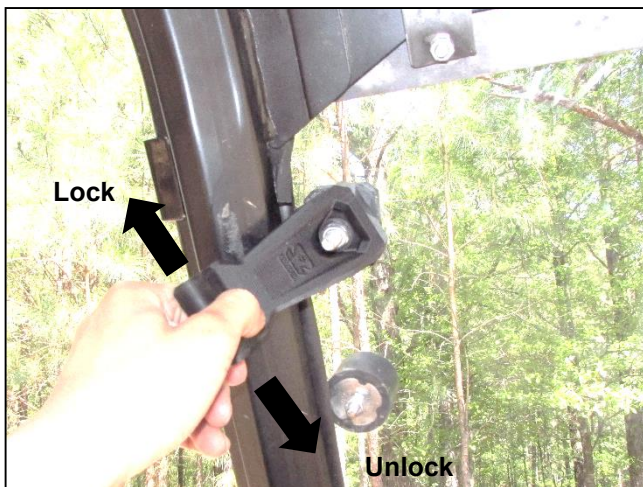
**12.** Attach the pro-fit roll cage clamps to the vehicle in the approximate location shown.



**13.** Place the windshield on the clamps and roll cage of the vehicle. Attach the male rubber plug and plastic spacer on the windshield in the order shown in the next step. It may be helpful to use a small object to push the bolt to the bottom of the plug.



**14.** Diagram showing the order of assembly.



**15.** Rotate both levers perpendicular to the roll cage to lock the windshield in place. To release the top section of the windshield, rotate the lever 90°.



**16.** Push the top half of the windshield down and firmly press the two rubber plugs against each other to lock windshield in down position.

Wash windshield with soap or detergent and water using a clean sponge or a soft cloth. Rinse well with clean water.

# SEIZMIK®

## APPENDIX

### 24001-25001

Item #	Part#	Description
1	SW-90224	Double Sided Hardcoated Polycarbonate folding panel
1	SW-90225	Uncoated Polycarbonate folding panel
2	SW-90226	Header panel
3	SW-90227	Header Panel Bracket assembly
4	SW-90228	90° Bulb Gasket 154"
5	SW-90229	Pro-fit Windshield Lever assembly
8	SW-90230	Windshield rubber push plug assembly
12	SW-90231	Self adhesive gasket 58"
10	SW-90216	SZ Profit plastic Clamp
	54-629430	Windshield hinge 49¼"
	54-91001KIT	Hardware Kit without gaskets 24001/25001

### 24003-25003

Item #	Part#	Description
1	SW-90233	Double Sided Hardcoated Polycarbonate folding panel
1	SW-90234	Uncoated Polycarbonate folding panel
2	SW-90235	Header panel
3	SW-90227	Header Panel Bracket assembly
4	SW-90236	90° Bulb Gasket 144"
5	SW-90229	Pro-fit Windshield Lever assembly
8	SW-90230	Windshield rubber push plug assembly
12	SW-90237	Self adhesive gasket 50"
10	SW-90216	SZ Profit plastic Clamp
	54-91001KIT	Hardware Kit without gaskets 24001/25001
	54-629430	Windshield hinge 44¼"

