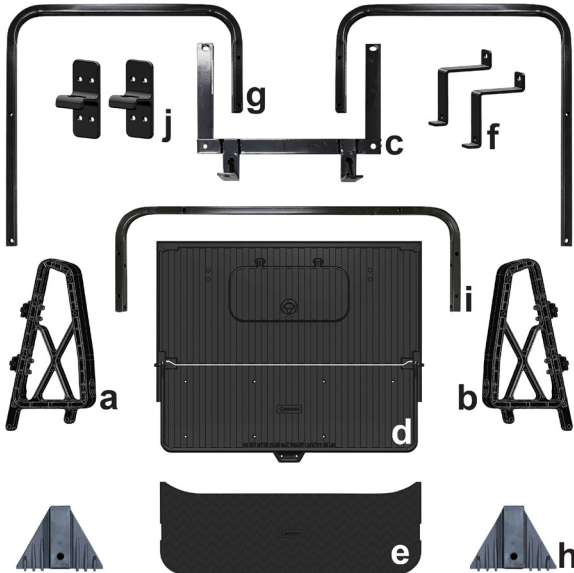




RHOK

Rugged parts for your ride.

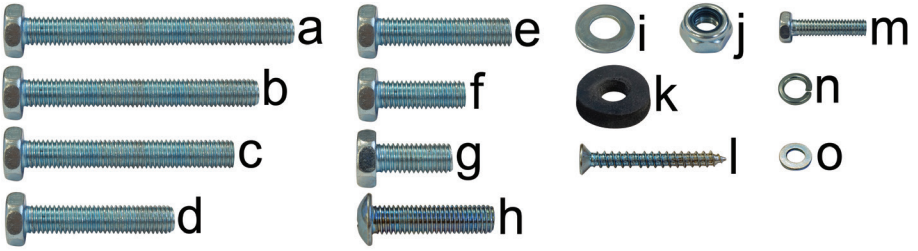
SEAT-151 Yamaha Drive RHOK Rhino Seat Kit Installation Instructions



Contents of SEAT-151 Rear Seat Kit:

- a 1 ea. Front Seat Back Support, Driver Side
- b 1 ea. Front Seat Back Support, Passenger Side
- c 1 ea. Vertical Support Bracket
- d 1 ea. Seat Platform
- e 1 ea. Footplate
- f 2 ea. Footplate Mounting Brackets
- g 2 ea. Handrails
- h 2 ea. Footplate Support Brackets
- i 1 ea. Rear Seat Back Support Frame
- j 2 ea. Rear Seat Back Brackets
- k 1 ea. Bag of Hardware (Contents on Next Page)

Caution: Please read through the instructions carefully. Installer is responsible for damage if instructions are not followed properly. Look behind each drill or cut location BEFORE YOU DRILL OR CUT. Installer is responsible for damage (i.e. drilling/cutting into a wiring harness, battery, fuel tank etc.). Extra installers will be helpful in some parts of the installation. Refer to vehicle's maintenance manual for torquing specifications on reused hardware.



Contents of SEAT-151 Hardware Kit		Bag #1	#2	#3	#4	#5
a	M10 x 90 Hex Head Bolts	2				
b	M10 x 80 Hex Head Bolts				2	
c	M10 x 70 Hex Head Bolts				4	
d	M10 x 50 Hex Head Bolts		2	2		
e	M10 x 45 Hex Head Bolts					2
f	M10 x 30 Hex Head Bolts			2		
g	M10 x 25 Hex Head Bolts		2			
h	M10 x 40 Phillips Head Truss Bolts				2	
i	M10 Flat Washers	4	8	8	14	4
j	M10 Nylock Nuts	2	4	4	8	2
k	M10 x 4mm Thick Spacers				2	
l	ST6.3 x 45 Phillips Head Countersunk Screws					8
m	M6 x 25 Hex Head Bolts					4
n	M6 Lock Washers					4
o	M6 Flat Washers					4

Tools Needed for Installation

- Sockets and Open Ended Wrenches (10mm, 12mm, 1/2", 13mm, 17mm)
- Allen Wrenches (4mm, 5mm)
- Phillips Screwdriver
- Drill and Drill Bit (3/8")
- Panel Removal Tool
- Rubber Mallet (Optional)
- Utility Knife

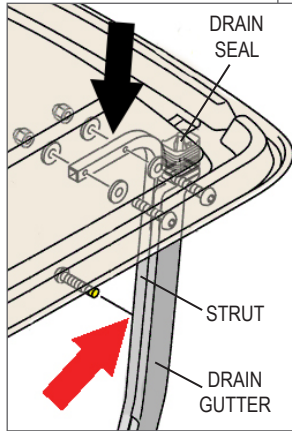
Installation Preparation

1. Engage parking brake.
2. Turn key OFF.
3. Electric Carts Only: Place Tow/Run Switch in Tow.
4. Remove top and drain seals (black arrows).

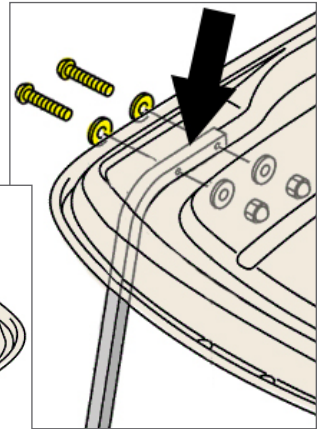
NOTE: If reinstalling the top, keep the top attached to the front struts and prop up the rear of the top using a broom handle or similar tool. Retain hardware.

5. Remove drain gutters (red arrow). Retain hardware.

NOTE: There are (2) bolts per drain gutter.

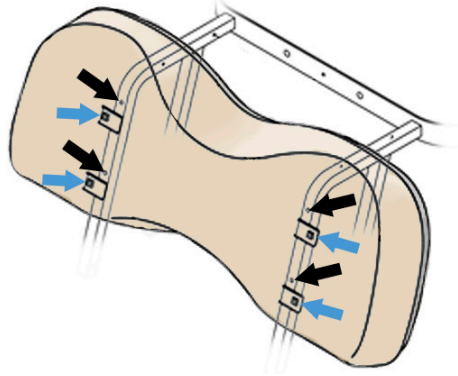


Rear Strut (Driver Side)

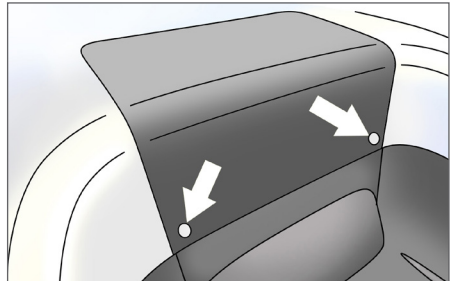


Front Strut
(Passenger Side)

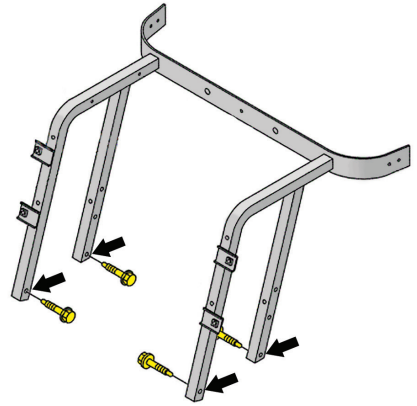
6. Remove the front seat back cushion (black arrows). Retain hardware.
7. Remove rear struts (blue arrows). Retain hardware.



8. Remove the access panel. Retain rivets.



9. Remove the seat back support and the bag attachment assembly. Retain hardware.

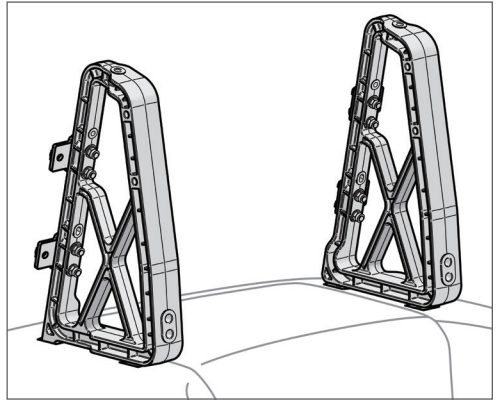


Rear Seat Kit Installation

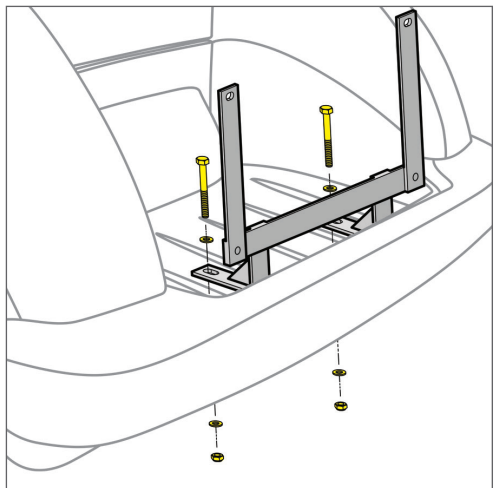
1. Install the new front seat back support brackets where the original bracket was installed. Mount using the Original Hardware.

NOTE: The driver and passenger side brackets are different.

2. Reinstall the access panel using the Original Rivets.

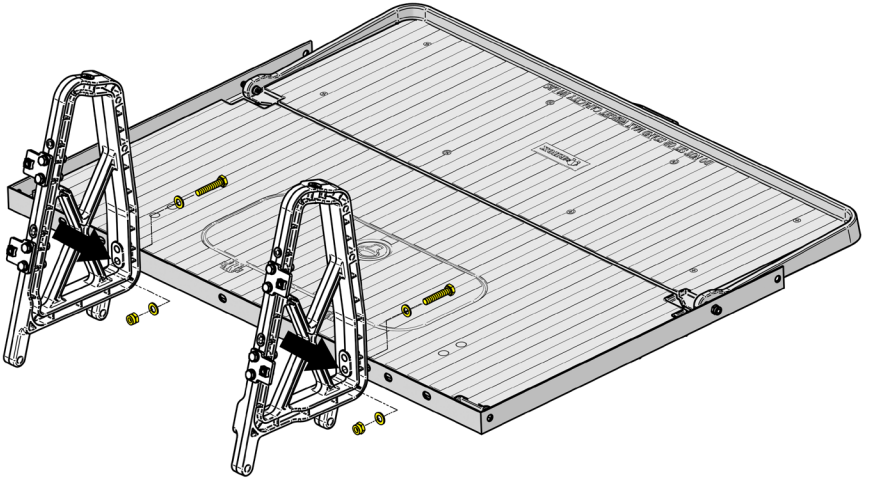


3. Remove the (2) bolts in the bagwell area. Use a 3/8" drill bit to open up the (2) holes that the hardware occupied. Drill completely through the frame.
4. Loosely fasten the vertical support bracket to the bagwell area using (2) M10 x 90 Hex Head Bolts, (4) Flat Washers and (2) Nylock Nuts (**Bag #1**).

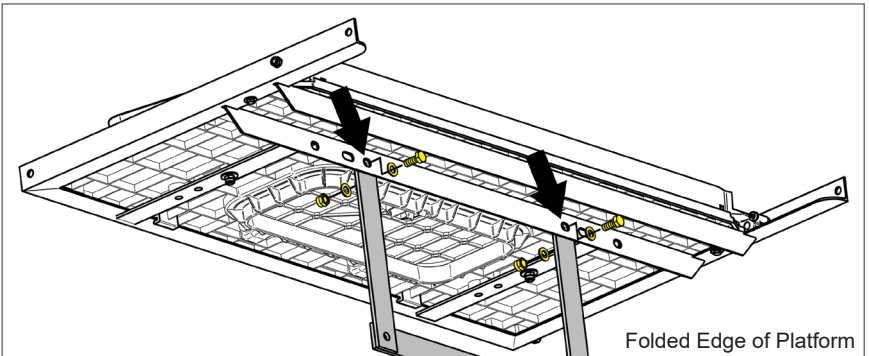


5. Loosely install the seat platform to the bottom holes on the front seat back support brackets using (2) M10 x 50 Hex Head Bolts, (4) Flat Washers and (2) Nylock Nuts (**Bag #2**).

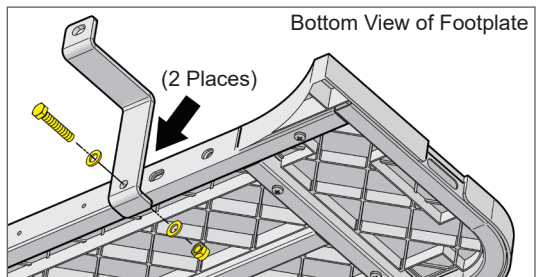
NOTE: Protect the rear body from scratches with a thick blanket or clean piece of cardboard. An extra installer is recommended on this step.



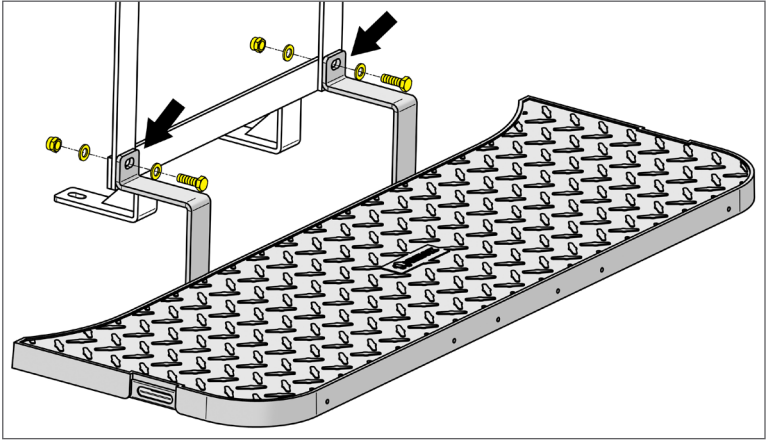
6. With the platform folded, loosely install the seat platform to the vertical support bracket using (2) M10 x 25 Hex Head Bolts, (4) Flat Washers and (2) Nylock Nuts (**Bag #2**).



7. Install the footplate mounting brackets to the holes on the footplate using (2) M10 x 50 Hex Head Bolts, (4) Flat Washers and (2) Nylock Nuts (**Bag #3**).



8. Loosely fasten the footplate to the vertical support bracket using (2) M10 x 30 Hex Head Bolts, (4) Flat Washers and (2) Nylock Nuts (**Bag #3**).



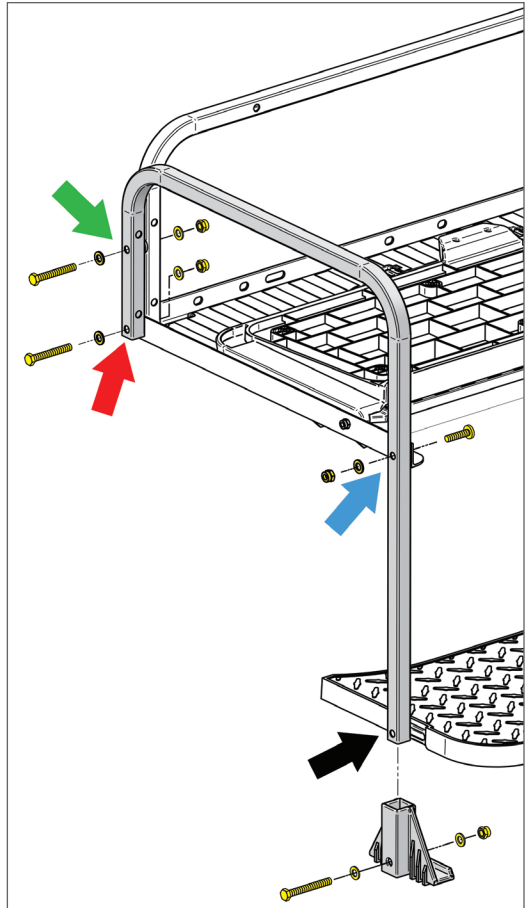
9. Loosely fasten the longer leg of a handrail to the rearmost portion of the seat platform (blue arrow) using (1) M10 x 40 Phillips Head Truss Bolt, (1) Flat Washer and (1) Nylock Nut (**Bag #4**).

10. Slide a footplate support bracket over the long end of the handrail until the holes align (black arrow). The bracket will cradle the footplate. Loosely fasten the bracket and handrail to the footplate using (1) M10 x 80 Hex Head Bolt, (2) Flat Washers and (1) Nylock Nut (**Bag #4**).

11. Repeat Steps 9 and 10 for the opposite handrail.

12. Place the rear seat back support frame between the handrails. Loosely fasten the support frame to the bottom of the handrails and the seat platform (red arrow) using (2) M10 x 70 Hex Head Bolts, (4) Flat Washers and (2) Nylock Nuts (**Bag #4**).

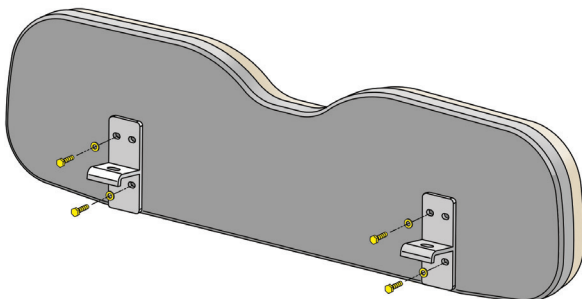
13. Loosely fasten the top of the handrails to the support frame (green arrow, page 6) using (2) M10 x 70 Hex Head Bolts,



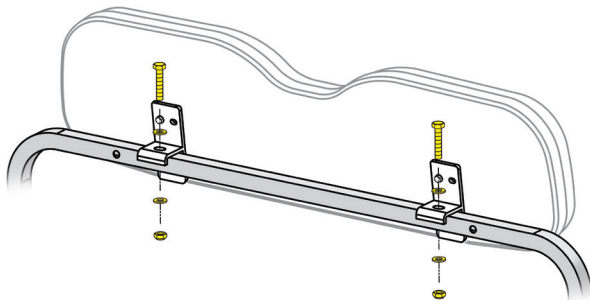
(4) Flat Washers, (2) Nylock Nuts and 2) Spacers (**Bag #4**).

14. Install the front seat back cushion using the Original Hardware. Loosen the front seat back supports if the holes do not align.
15. Tighten all hardware.

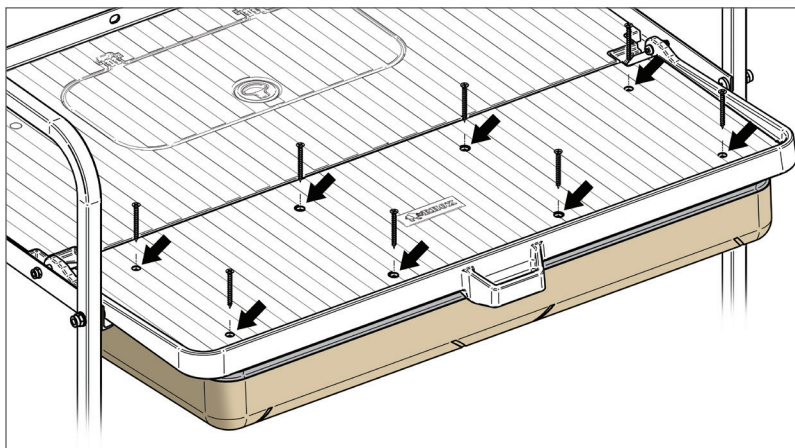
16. Install the rear seat back brackets to the rear seat back using (4) M6 x 25 Hex Head Bolts, (4) Lock Washers and (4) Flat Washers (**Bag #5**). Hand tighten.



17. Install the rear seat back assembly to the rear seat back support frame using (2) M10 x 45 Hex Head Bolts, (4) Flat Washers and (2) Nylock Nuts (**Bag #5**).



18. Align the seat bottom cushion with the holes on the platform. Fasten the seat bottom cushion to the platform using (8) ST6.3 x 45 Phillips Head Countersunk Screws (**Bag #5**). Hand tighten.

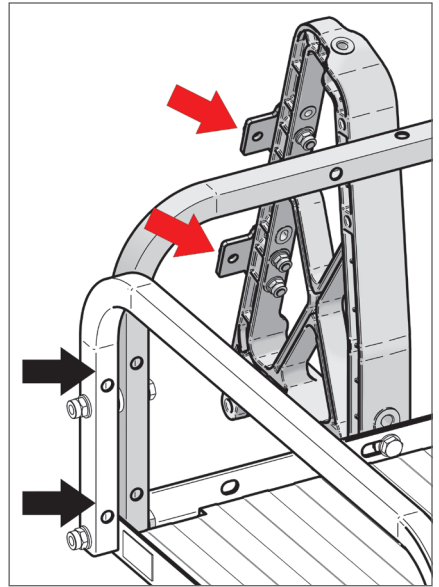


19. If reinstalling the OE rear struts, drain gutters and drain seals, install them to the front seat back support frame (red arrows) using the Original Hardware.

If installing struts for an extended top, install them to the either set of holes shown with the black arrows.

NOTE: RHOX 88" Tops require TOP-0108 rear struts.

20. Reinstall top using Original Hardware (if applicable).



This completes the installation of your RHOX 100 Series Rear Seat Kit. Please enjoy safely!

Scan QR code or use the link below to view our installation video library.
www.youtube.com/@GolfCartInstructions

