



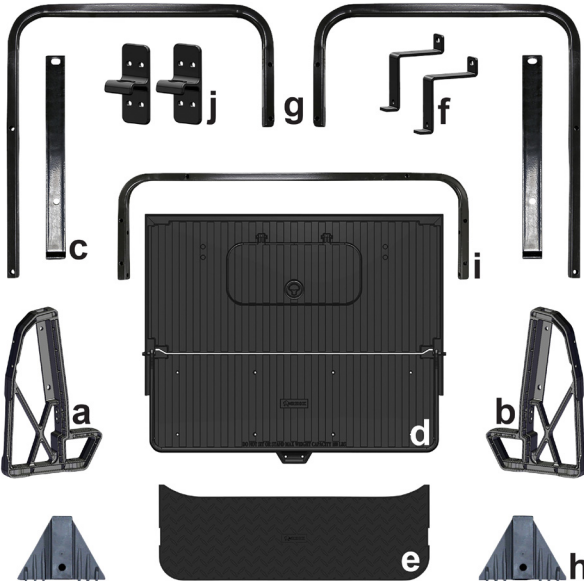
RHOK

Rugged parts for your ride.

SEAT-111

E-Z-Go TXT

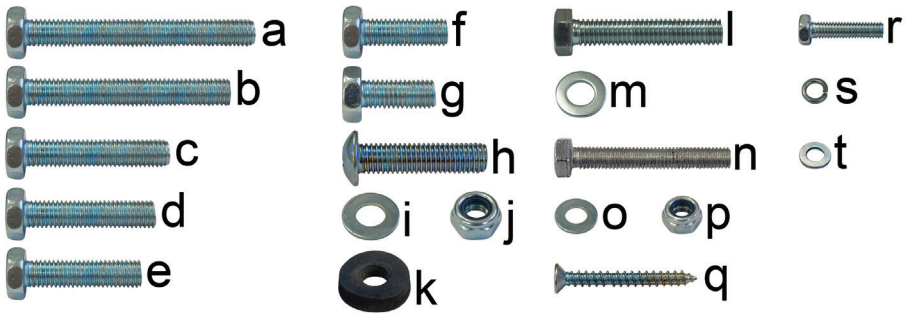
RHOK Rhino Seat Kit Installation Instructions



Contents of SEAT-111 Rear Seat Kit:

- a 1 ea. Front Seat Back Support, Driver Side
- b 1 ea. Front Seat Back Support, Passenger Side
- c 2 ea. Vertical Support Brackets
- d 1 ea. Seat Platform
- e 1 ea. Footplate
- f 2 ea. Footplate Mounting Brackets
- g 2 ea. Handrails
- h 2 ea. Footplate Support Brackets
- i 1 ea. Rear Seat Back Support Frame
- j 2 ea. Rear Seat Back Brackets
- k 1 ea. Bag of Hardware (Contents on Next Page)

Caution: Please read through the instructions carefully. Installer is responsible for damage if instructions are not followed properly. Look behind each drill or cut location BEFORE YOU DRILL OR CUT. Installer is responsible for damage (i.e. drilling/cutting into a wiring harness, battery, fuel tank etc.). Extra installers will be helpful in some parts of the installation. Refer to vehicle's maintenance manual for torquing specifications on reused hardware.



Contents of SEAT-111 Hardware Kit		Bag #1	#2	#3	#4	#5
a	M10 x 80 Hex Head Bolts				2	
b	M10 x 70 Hex Head Bolts				4	
c	M10 x 50 Hex Head Bolts		2	2		
d	M10 x 45 Hex Head Bolts					2
e	M10 x 40 Hex Head Bolts		2			
f	M10 x 30 Hex Head Bolts			2		
g	M10 x 25 Hex Head Bolts		2			
h	M10 x 40 Phillips Head Truss Bolts				2	
i	M10 Flat Washers		12	8	14	4
j	M10 Nylock Nuts		6	4	8	2
k	M10 x 4mm Thick Spacers				2	
l	3/8-16 x 2" Hex Head Bolts	4				
m	3/8" Flat Washers	4				
n	M8 x 55 Hex Head Bolts	4				
o	M8 Flat Washers	8				
p	M8 Nylock Nuts	4				
q	ST6.3 x 45 Phillips Head Countersunk Screws					8
r	M6 x 25 Hex Head Bolts					4
s	M6 Lock Washers					4
t	M6 Flat Washers					4

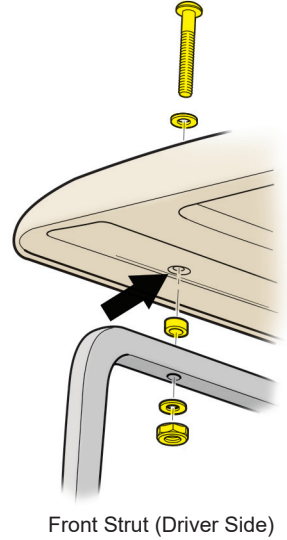
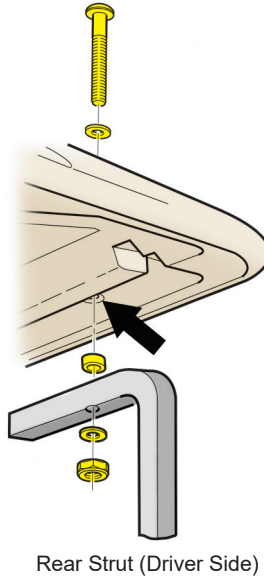
Tools Needed for Installation

- Sockets and Open Ended Wrenches (10mm, 7/16", 1/2", 9/16", 17mm)
- Torx Bit Socket (T20)
- Phillips Screwdriver
- Drill and Drill Bit (3/8")
- Rubber Mallet (Optional)

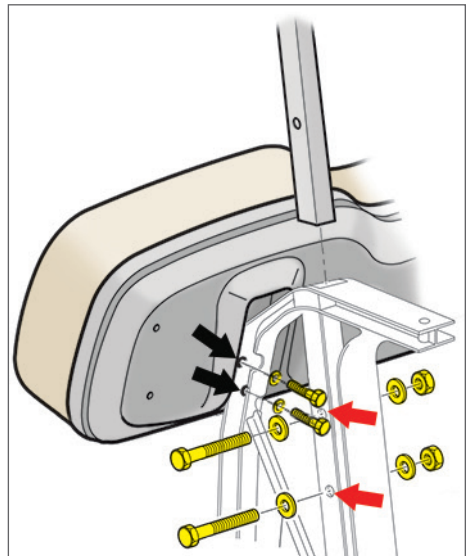
Installation Preparation

1. Engage parking brake.
2. Turn key OFF.
3. Electric Carts Only: Place Tow/Run Switch in Tow.
4. Remove top.

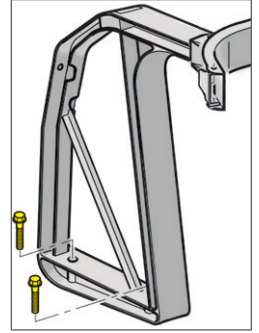
NOTE: If reinstalling the top, keep the top attached to the front struts and prop up the rear of the top using a broom handle or similar tool. Retain hardware.



5. Remove the front seat back cushion (black arrows). Do not use air or power tools. Retain hardware.
6. Remove rear struts (red arrows). Retain hardware.



7. Remove both seat back supports and the bag attachment. Driver side seat support shown.

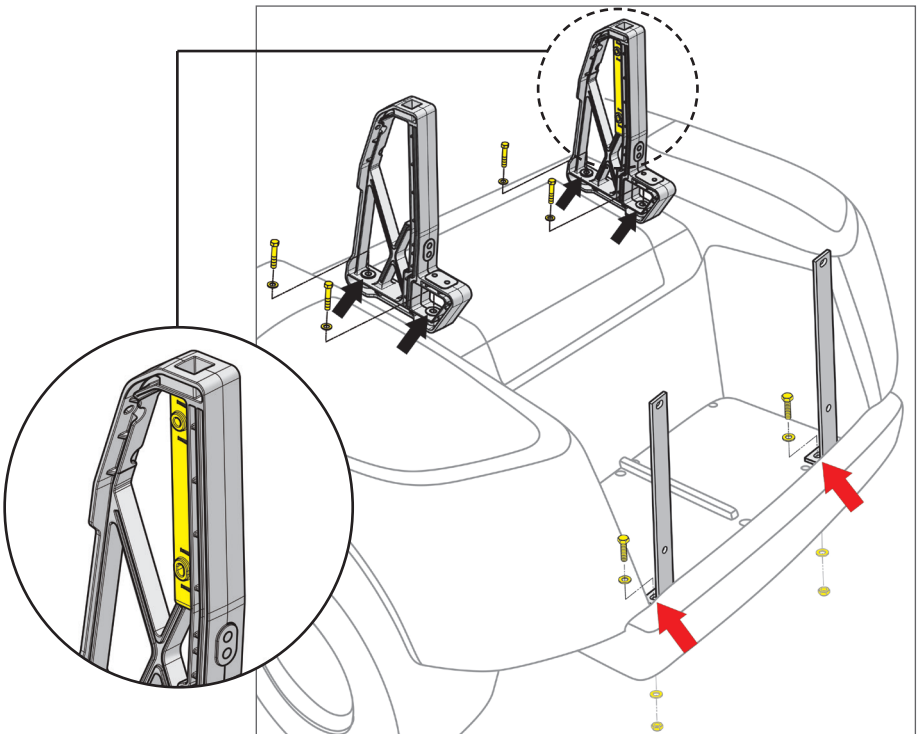


Rear Seat Kit Installation

1. Install the new front seat back support brackets where the original brackets were installed using (4) 3/8-16 x 2" Hex Head Bolts and (4) Flat Washers (**Bag #1**).

NOTE: The driver and passenger side brackets are different.

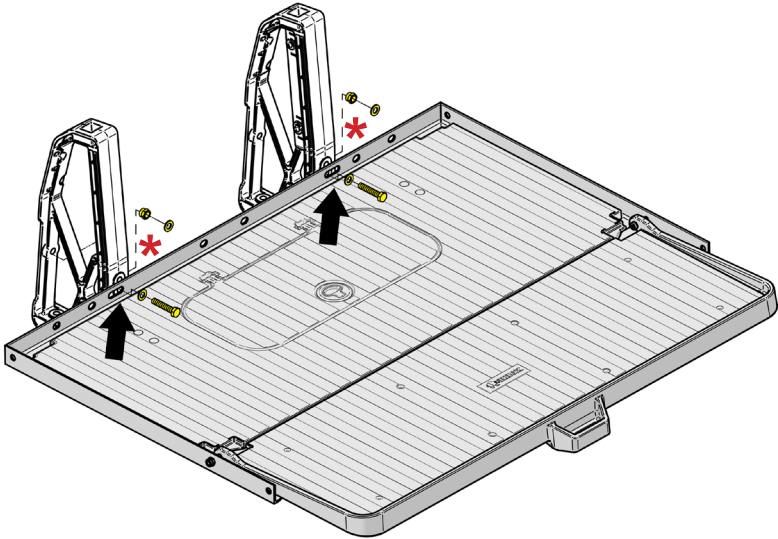
2. Use a 3/8" drill bit to open up the (2) rear most holes in the bagwell area. Drill completely through the rivet and the frame.
3. Loosely fasten the vertical support brackets to the bagwell area using (2) 10mm x 40 Hex Head Bolts, (4) Flat Washers and (2) Nylock Nuts (red arrows, **Bag #2**).



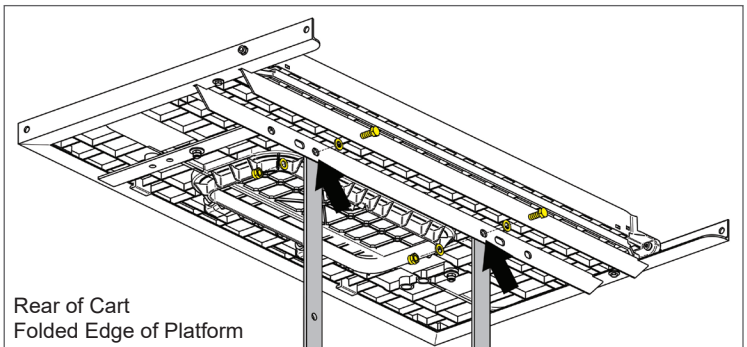
4. Loosely install the seat platform to the front seat back support brackets using (2) M10 x 50 Hex Head Bolts, (4) Flat Washers and (2) Nylock Nuts (**Bag #2**).

NOTE: Protect the rear body from scratches with a thick blanket or clean piece of cardboard. An extra installer is recommended on this step.

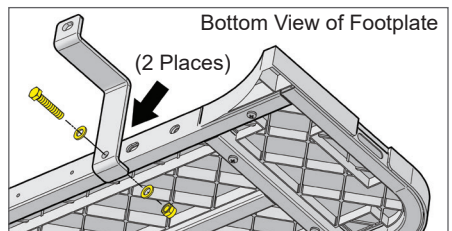
The platform can be fastened to either set of slots for more adjustability. The lower slots are preferred by most installers.*



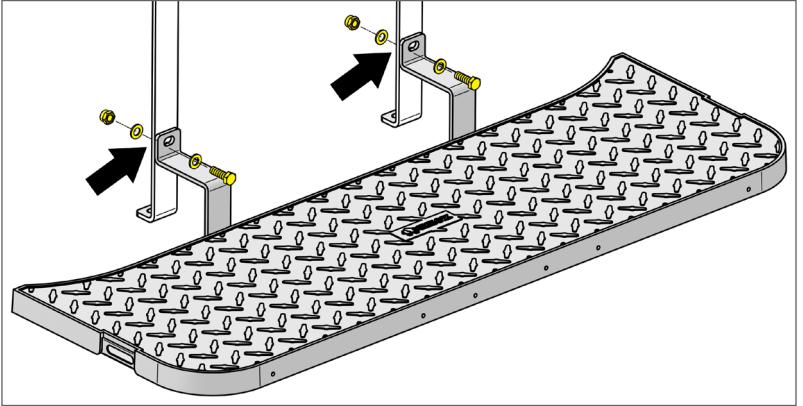
5. With the platform folded, loosely install the seat platform to the vertical support brackets using (2) M10 x 25 Hex Head Bolts, (4) Flat Washers and (2) Nylock Nuts (**Bag #2**).



6. Install the footplate mounting brackets to the holes on the footplate using (2) M10 x 50 Hex Head Bolts, (4) Flat Washers and (2) Nylock Nuts (**Bag #3**).



7. Loosely fasten the footplate to the vertical support bracket using (2) M10 x 30 Hex Head Bolts, (4) Flat Washers and (2) Nylock Nuts (**Bag #3**).

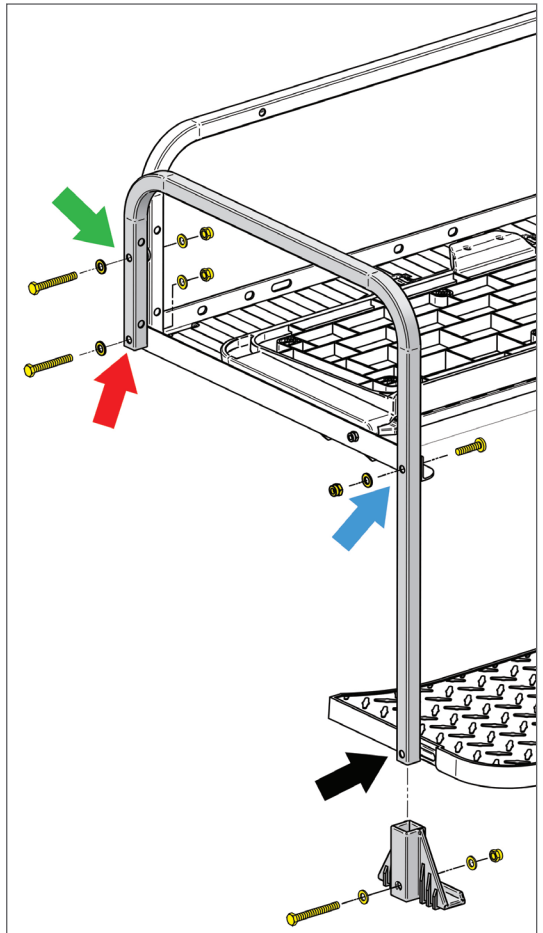


8. Loosely fasten the longer leg of a handrail to the rear most portion of the seat platform (blue arrow) using (1) M10 x 40 Phillips Head Truss Bolt, (1) Flat Washer and (1) Nylock Nut (**Bag #4**).

9. Slide a footplate support bracket over the long end of the handrail until the holes align (black arrow). The bracket will cradle the footplate. Loosely fasten the bracket and handrail to the footplate using (1) M10 x 80 Hex Head Bolt, (2) Flat Washers and (1) Nylock Nut (**Bag #4**).

10. Repeat Steps 8 and 9 for the opposite handrail.

11. Place the rear seat back support frame between the handrails. Loosely fasten the support frame to the bottom of the handrails (red arrow) using (2) M10 x 70 Hex Head Bolts, (4) Flat Washers and (2) Nylock Nuts (**Bag #4**).

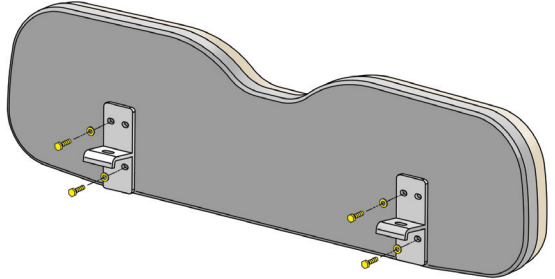


12. Loosely fasten the top of the handrails to the support frame (green arrow) using (2) M10 x 70 Hex Head Bolts, (4) Flat Washers, (2) Nylock Nuts and (2) Spacers (**Bag #4**).

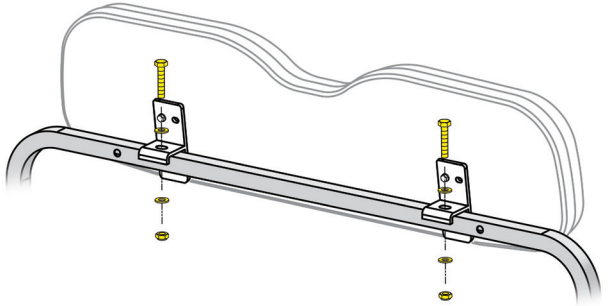
13. Tighten all hardware.

14. Install the front seat back cushion using the Original Hardware. Hand tighten.

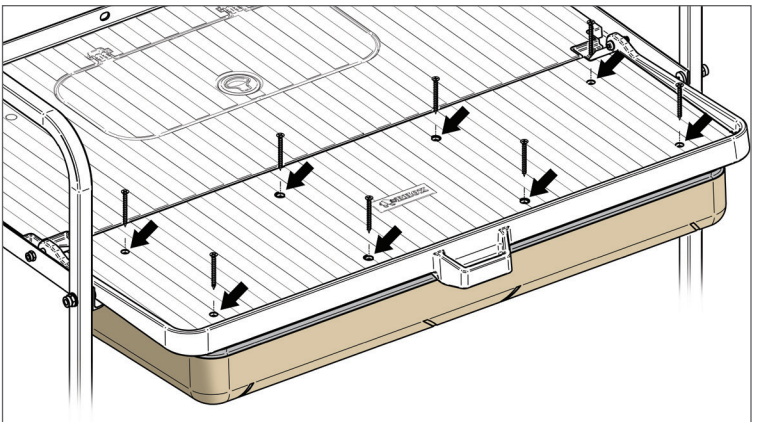
15. Install the rear seat back brackets to the rear seat back using (4) M6 x 25 Hex Head Bolts, (4) Lock Washers and (4) Flat Washers (**Bag #5**). Hand tighten.



16. Install the rear seat back assembly to the rear seat back support frame using (2) M10 x 45 Hex Head Bolts, (4) Flat Washers and (2) Nylock Nuts (**Bag #5**).



17. Align the seat bottom cushion with the holes on the platform. Fasten the seat bottom cushion to the platform using (8) ST6.3 x 45 Phillips Head Countersunk Screws (**Bag #5**). Hand tighten.

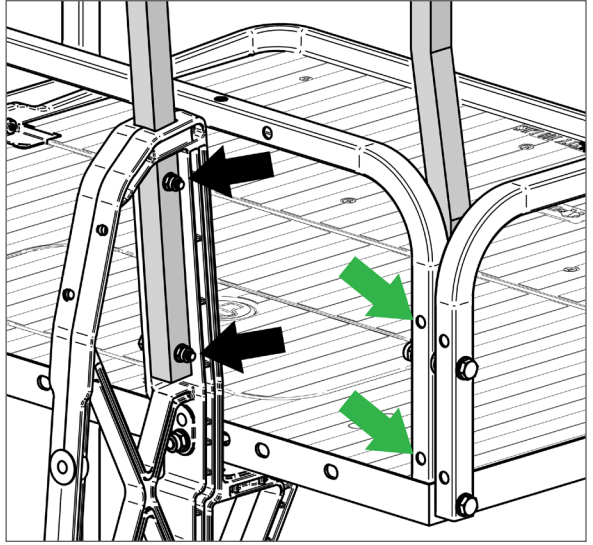


18. If reinstalling the OE rear struts, install them to the front seat back supports using (4) M8 x 55 Hex Head Bolts, (8) Flat Washers and (4) Nylock Nuts (black arrows, **Bag #1**).

If installing struts for an extended top, install them to the either set of holes shown with the green arrows. TOP-0108 is shown for reference.

NOTE: RHOX 88" tops require TOP-0108 rear struts.

19. Reinstall top using Original Hardware (if applicable).



This completes the installation of your RHOX 100 Series Rear Seat Kit. Please enjoy safely!

Scan QR code or use the link below to view our installation video library.
www.youtube.com/@GolfCartInstructions

