



FALCON RIDGE

+1(800)-213-7981

Instructions for Installation and Care of

Kawasaki Pro FXT

Front Soft Door Kit

52-10105-Z - KAW-PROFXT-FSDK01

Notice: Do not smoke inside the cab or expose the enclosure to direct flames. Cab is Flammable.

1. Be sure to read these instructions thoroughly before opening and installing the Kawasaki Pro FXT Front Soft Door Kit. The installation is best done when the temperature is 70 degrees F. or warmer. The temperature affects the adhesive Velcro, if conditions prevent installing in warmer weather it helps to store the adhesive Velcro at room temperature prior to installation.
2. Carefully open the carton and remove the enclosure on a large flat surface that is clean and free of dirt.
3. Check over the parts included in the carton with the parts list shown below:

Front Doors

Adhesive Velcro Hook Strips:

16 each-----3”

2 each-----8”

2 each-----32”

2 each-----36”

FRONT DOORS

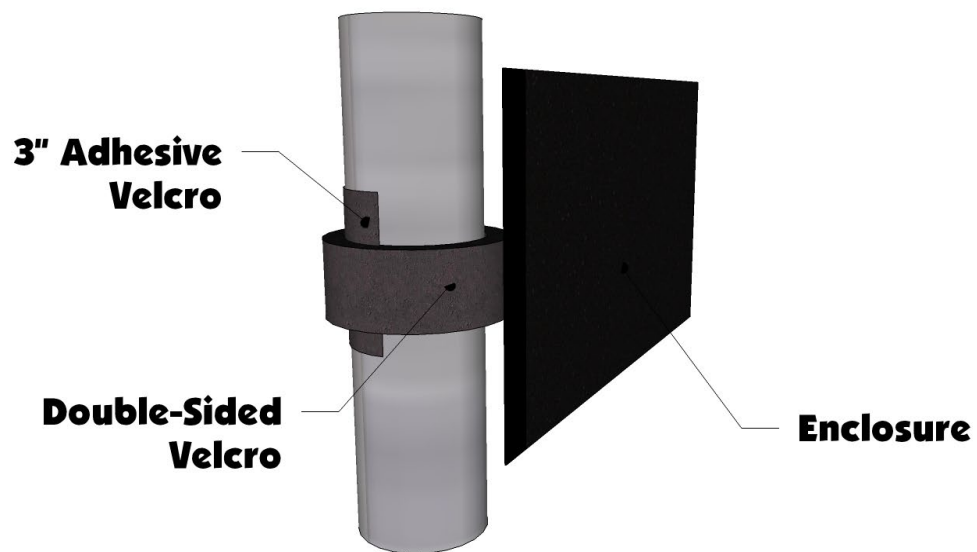
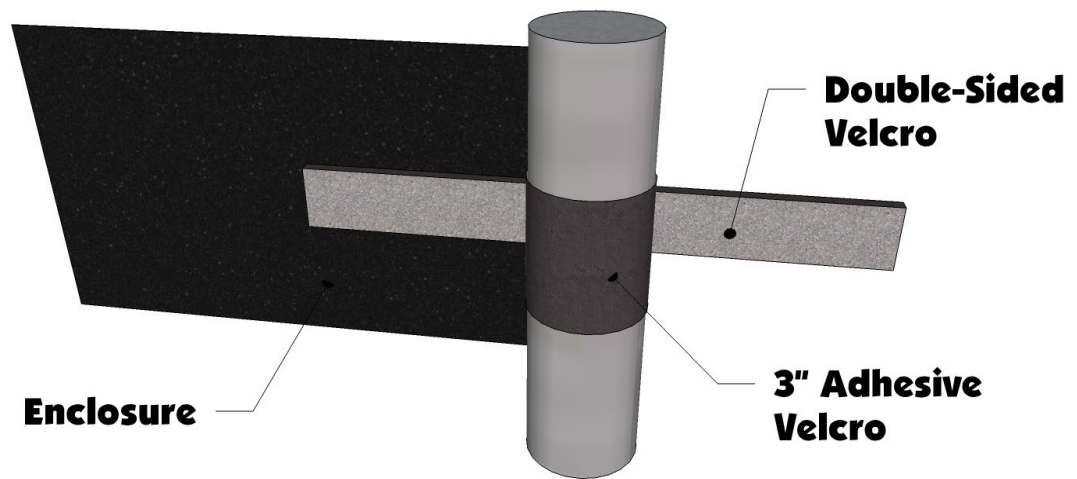
4. Begin by installing the front doors. If possible, have someone else hold the door in place and mark the location of each Velcro strip sewn along the **top and front** edges of the door. Now take the supplied 3” adhesive Velcro strips and wrap them around the roll cage at the marked locations. Now put the door back onto the vehicle and wrap the double-sided Velcro around the adhesive Velcro as shown in the photos on the next page.



5. The rear edge of the front door also has double-sided strips as well but you do not use the 3" adhesive strips for it. Instead place the 45" adhesive strips down the backside of the middle bar facing the rear of the vehicle. You will need to cut the adhesive strip and place part of it above and below the mount for the bar as shown in the photo. This will hold both the double-sided straps and the sides of the middle rear window in place. See photo below.



6. The diagrams below show how the double-sided straps and the 3" adhesive Velcro works.



7. The front bottom corner of the door is held in place by two 8" adhesive Velcro strips. The photo below shows the proper placement.



8. Finish off the bottom of the Door with the 25" adhesive Velcro Strip. See photo below.



Cleaning and Storage Recommendations:

1. Before removing the Falcon Ridge Cab for storage, make sure it is very clean in order to prevent scratching of the window panels. Clean with a soft rag or sponge using a mild liquid detergent soap and warm water solution. Never rub the windows with a dry cloth or rag! Let the Cab dry thoroughly before attempting to roll for storage.
2. It is important that the Cab be rolled up for storage rather than folding. Folding will cause damage to the windows!!! Carefully roll up the Cab similar to the way it was when it was packed at the factory. On a large, clean and flat surface, fold the doors over the rear panel first, then, interleave the top and windshield on top of the doors. Begin rolling the Cab into a roll approximately 8 inches in diameter. Put the rolled Cab back into the carton for storage at a normal room temperature. It is best not to expose the Cab to either extreme hot or cold temperatures when storing.

Warranty

To The Owner of this Product:

Thank you for purchasing one of our Falcon Ridge Cab Enclosures, Tops &/or Windshields! Below are the terms under which your product is covered under our manufacturer's warranty.

30 Day Warranty which includes and is not limited to replacing the enclosure, tops and/or windshield due to defect of the product. Please refer to the return policy in this case for more information.

1 Year Warranty includes any defect in material or workmanship within this time frame we will gladly correct the problem or replace the enclosure, tops &/or windshield. Upon submitting for the correction or replacement we will need to receive pictures of the defect in material or workmanship along with the receipt from the date of purchase.



WARNING: This product contains a chemical known to the State of California to cause cancer. For more information, go to www.P65Warnings.ca.gov.